



PLUS

The flexible bathroom



# People prefer to look after themselves

## We make sure they can

At Pressalit Care, we devise attractive solutions that improve quality of life and offer good value for money: Quality of life for the people who use our products several times daily, and good value for money for those who have to pay for the installations. We develop solutions that respect users, carers and clients, and we advise all parties on layout and optimum product use.

Thanks to their high quality and flexibility, our solutions last many years. Their flexibility means that both the products and the rooms in which they are installed adapt to the users – not vice versa. Simple, universal and straightforward. This gives more freedom to the users – and to the architects who have to make the most of the available space and budget. At the same time, the products' user-friendly design helps to ensure better lives for users with limited functionality and for the care staff who will be employing the products daily during their working life.

The best way to express it is through our underlying philosophy:

## keep living

# Contents


<b>Architectural and economic freedom</b> _____	Page 4
<b>Bathroom as workplace</b> _____	Page 6
<b>Simple and clean</b> _____	Page 8
<b>The secret is in the detail</b> _____	Page 10
<b>Flexibility – easy and simple</b> _____	Page 12
<b>A world of colour</b> _____	Page 14
<b>Unlimited possibilities</b> _____	Page 16
Wall tracks	
<b>Sense of comfort</b> _____	Page 20
Wash basin brackets, Wash basins, Tap, Modular shelves	
<b>Focus on feeling secure</b> _____	Page 28
Support arms, Toilets, Backrest, Toilet seats	
<b>Dreams of well-being</b> _____	Page 36
Shower seats, Shower accessories	
<b>Guaranteed functionality</b> _____	Page 44
Handrails, Bathroom accessories, Cupboard bracket, Baskets, Folding seats	
<b>Dimensions, mounting and accessories</b> _____	Page 50
<b>Plumbing installations</b> _____	Page 72
Flexible feed and waste systems	
<b>Electrical installations</b> _____	Page 74
Brackets for wash basins, Shower seat 450	
<b>Testing</b> _____	Page 75

# Architectural and economic freedom

Pressalit Care's track system is unique. With it we create such flexible solutions that they can be adapted to all kinds of bathrooms and every type of user situation. We have now developed this unique system further and made it even better with a new design and a wide choice of colours.

With both horizontal and vertical adjustment options, PLUS is a complete bathroom system that makes it possible to plan, furnish and alter every single bathroom to meet the actual requirements as they change. This makes it a healthy, long-term investment. Our basic philosophy, keep living, does not only apply to users. It is also true of our products - their quality and flexibility ensure long-term economic advantages and considerable freedom of layout.

And on the subject of layout, we are very keen to advise. PLUS is the result of more than 20 years of development work, and we are happy to make our expertise available. We can help by matching needs with solutions. Drawing on what we know about user needs, independence and the physical situation, we help you choose the best solution. Involve us from the initial planning phase, and take the opportunity to test your ideas and sketches in collaboration with one of our consultants.



● The track system's inherent flexibility offers economic advantages in both the short and long term.



● The bathroom is easily and logically laid out for the individual user and user situation.



# The bathroom as workplace

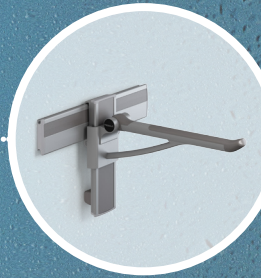
PLUS focuses on the person. This includes the staff who need to operate and adjust the products each day of their working lives. For carers and therapists, intuitive operation, vertical and horizontal adjustment, ergonomic handles and innovative design lead to a better working environment and fewer days off sick.

At Pressalit Care, we know what the best working conditions in the bathroom require. Therefore we do not just supply the solution - we also provide consultancy on how to use space and layout to ensure that users and carers make the most of the solution.

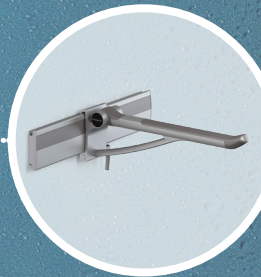
Flexibility and a good working environment are a healthy investment. Just as PLUS can be adjusted for different users, the products can, of course, also meet the needs of different members of staff. It's easy and straightforward, and it can help to ensure better working conditions and healthier employees who feel more at ease and less overloaded.



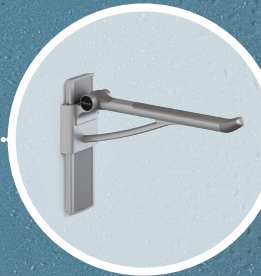
Products which can be adjusted both horizontally and vertically are particularly suitable for rooms with multiple users, and for users whose requirements are continually changing, for example because they are growing or because of their illness.



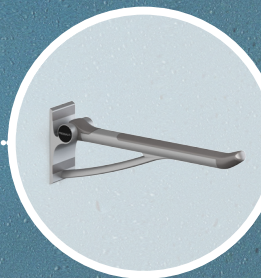
Products which can be adjusted sideways are suitable for rooms where it is necessary to adjust the distance between the products depending on the size of the individual user, and where the products have to be shifted or removed to create space for mobility aids.



Products which are height-adjustable are suitable for rooms where it is necessary to adjust the products for multiple users in the same user situation or for users with stable (not progressive) illnesses.



Fixed products are particularly suitable for independent users with stable conditions and for rooms which require anti-theft and vandal-proof solutions.



# Simple and clean

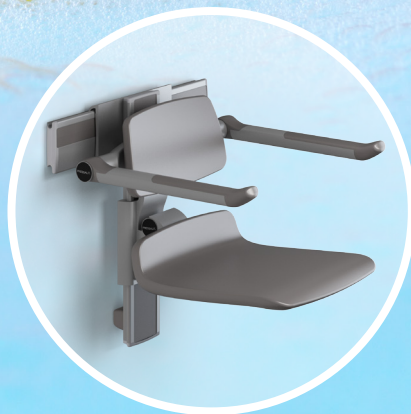
We have designed PLUS so that the products can be adjusted and operated intuitively, simply and without the use of tools. PLUS is designed for comfort, so the products are comfortable to sit on, easy to clean and straightforward to use.

Bathrooms must be clean and hygienic. Consequently, PLUS is not just flexible and easy to use. It is also easy to clean. We have minimised the number of grooves, slits and holes in products to eliminate as many dirt traps as possible. The result is smooth surfaces, which also facilitate faster and more effective cleaning.





Smooth surfaces and sealed mechanisms prevent dirt and dust from accumulating.



The rounded edges and sleek design ensure you can clean the product thoroughly.



The carefully selected materials are solid and robust and withstand daily wiping and cleaning.




# The secret is in the detail

With PLUS, the details create the whole. The design is innovative and continually tested for stability and strength. The same thoroughness also applies to the choice of materials for all our solutions and to the operating and adjusting of every single product. We focus on creating aids which are uncomplicated and intuitive to use and, not least, flexible in relation to the needs of the individual user.

PLUS offers considerable freedom when furnishing a room, and creates a sense of coherence between the different bathroom functions. The system has a high degree of user-friendliness based on sound design, superior materials and future-proofed functionality.

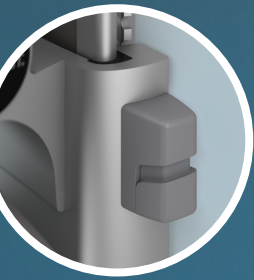
Aluminium is both workable and lightweight, while at the same time signalling strength and stability. Anodisation produces a resilient surface and an elegant finish.



● Two-component plastic gives a soft and non-slip surface on support arms and armrests.

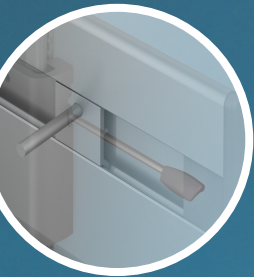
● Polystyrene plastic ensures that the front panels on vertical and horizontal wall tracks are hard and able to withstand pressure and knocks.

● PUR foam is used when soft, warm surfaces are desired. The material is very mouldable, and is stabilised with a marine plywood core.



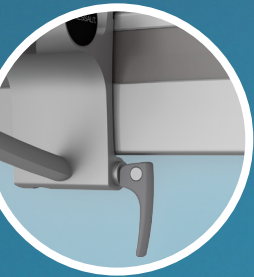
## Support arms and manual shower seats

To raise the product, slide it upwards to the desired height. If the height needs to be lowered, compress the grip lock on the side of the product while pushing the product down to the desired position. Release the grip lock again to lock the product into place.



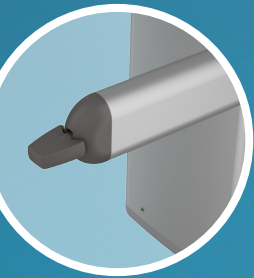
## Wash basin bracket – manual

Lift the basin slightly and lift the locking arm. Lift or lower the wash basin to the desired height. Release the locking arm, ensuring that it clicks into place horizontally.



## Horizontal position

The product can be freely moved backwards and forwards when the locking handle on the side of the product is lifted into a horizontal position. Return the locking handle to the vertical position to lock the product in place.



## Wash basin brackets – electric and gas

Electric: Lightly press the lever at the end of the arm upwards to raise the height of the wash basin, and press the lever downwards to lower the wash basin.

Gas: Release the wash basin bracket by pressing the lever at the end of the arm downwards. The wash basin can now be raised or lowered to the desired height by pressing it up or down. Lock the wash basin into its new position by returning the lever to the neutral position.



## Armrests on shower seats

For upward adjustment, slide the armrests upwards. To lower the armrests, move them to the uppermost position, and then lower them completely. They can then be raised to the desired height.



# Flexibility – easy and simple

Using the vertical and horizontal tracks, the individual products can be moved to exactly the position required in each situation – without the use of tools.

The PLUS series' adjustment handles are so intuitive that the series can easily be used by different users. This means that its inherent flexibility can be fully exploited by both users and carers. It is simple and straightforward to adjust the products – both vertically and horizontally.

This flexibility is manifested throughout: If one or more of the products are not needed for a period of time, they can easily be removed from the track. The philosophy behind the flexible, intuitive bathroom is that the room should be tailored to the users and not the other way around.



# A world of colour



The flexibility of the PLUS system is also reflected in the wide choice of colours available. Thanks to the variety of both subtle and intense colours, it is easy to choose exactly the right colour combinations to suit the bathroom's main purpose while satisfying user needs for an aesthetic and plainly laid-out design.

Colours can help to add a uniquely personal and individual touch while also assisting the user to find their way around in relation to the bathroom's various functions. As in traffic, colours in the bathroom can provide direction and function as signals.

Using colour contrasts provides an important and invaluable help with daily routines, especially for many older and visually impaired people.

**Wall tracks**  
- standard colours



182 PALE GREY



112 ANTHRACITE

**Support arms, shower seats and soap holder**  
- standard colours



000 WHITE



112 ANTHRACITE

**Support arms and shower seats**  
- special colours



026 ORANGE



035 RED

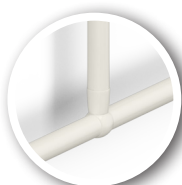


108 DARK BLUE



277 LIME GREEN

**Handrails, shower head holder and shower curtain rails**  
- standard colours



000 WHITE



112 ANTHRACITE

- special colours



035 RED



108 DARK BLUE

**Toilet seats, folding seats and front and back support**  
- standard colours



000 WHITE



112 ANTHRACITE

- special colours



035 RED



108 DARK BLUE

- NCS Colour codes
- 000 = S0502-Y
  - 026 = S1080-Y60R
  - 035 = S4050-R
  - 108 = S8010-R70B
  - 112 = S6500-N
  - 182 = S3000-N
  - 277 = S1075-G50Y

The surfaces of the products are made of different materials, in some cases this may lead to a slight variation in colour tones.

# Unlimited possibilities



● Simple and easy-to-clean design without sharp edges.



Design and function go hand in hand in the wall track system, onto which several products can be fitted. At the wash basin, toilet and in the shower corner, the adjustment options provide optimum working conditions for staff, who can push a product to one side to create more space or adjust the height of a product to match individual user needs for comfort and support.

Moreover, for users of mobility aids, it is possible to manoeuvre easily because the layout of the free floor area can be changed and enlarged thanks to the flexibility of the solution.

● Combining horizontal and vertical tracks achieves the greatest flexibility – for the benefit of users and carers alike.

● Horizontal wall tracks allow a flexible layout. The products can be shifted sideways on the track to suit spatial requirements, care needs and manoeuvring.





● The front panel conceals mounting bolts and any cables.

● The products can be locked to the track with intuitive adjustment and locking functions.

● The track distributes the weight of the individual bathroom product, for example a wash basin, along its entire length.

The wall track is the backbone of the flexible PLUS system. Horizontal track makes it possible to shift the products along the wall, while vertical track enables adjustment of their height. If the two tracks are combined, the available space in the bathroom can be utilised optimally, benefiting both user and carer. In environments with multiple users, the track makes it easy to adjust the layout to individual user needs – without the need for building alterations.

# Wall tracks



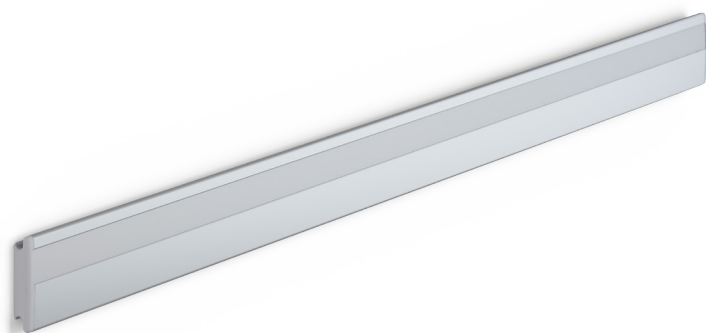
P. 14-15



P. 50-51



P. 75-78



## Horizontal wall track

The track is stocked in 300 mm lengths, but can be supplied to order in any length.

- R9806yyy** Wall track, 600 mm
- R9809yyy** Wall track, 900 mm
- R9812yyy** Wall track, 1200 mm
- R9815yyy** Wall track, 1500 mm
- R9818yyy** Wall track, 1800 mm
- R9821yyy** Wall track, 2100 mm
- R9824yyy** Wall track, 2400 mm




## Vertical wall track

- R9864yyy** Vertical wall track for right-hand operated height-adjustable products, 400 mm
- R9863yyy** Vertical wall track for left-hand operated height-adjustable products, 400 mm

**yyy** = colour of frontplate for track.  
**Materials:** Aluminium, plastic.

# Sense of comfort

People of different sizes and physical abilities can use the same bathroom without problem as long as the layout is flexible and easy to adapt to the individual needs of the users. A wash basin which can be adjusted according to height provides both standing and seated users with the best conditions in the bathroom, avoiding unnecessary strain to the body and posture of either. This is an advantage in all environments with multiple users, for example in the care sector, or in private homes where there are both children and adults.




● A wheelchair user can move in close to the wash basin and lower it to a comfortable height.



● Depending on the model, the wash basin bracket can be mounted either directly on the wall or on a horizontal wall track.

● With an electrically or gas-operated wash basin bracket, a carer or user can easily and simply raise or lower the wash basin to the desired height.

● A shallow ergonomic wash basin gives seated users the leg-room they need.



● Electrically operated or gas-assisted brackets come with lever controls. Electrically operated brackets are also available in versions with cordless remote control or wired hand control.

● The arm that holds the lever control can function as a towel rail. It can be placed on the right- or left-hand side of the wash basin.

● The bracket enables the height to be adjusted by up to 300 mm.

With a gas-assisted wash basin bracket, most carers and some users can easily and simply raise or lower the wash basin to the desired height, while an independent user will be able to make the necessary adjustments to an electrically operated wash basin bracket themselves without any problems. Electrically operated or gas-assisted brackets take account of everyone's individual needs while safeguarding the future functionality of the layout.

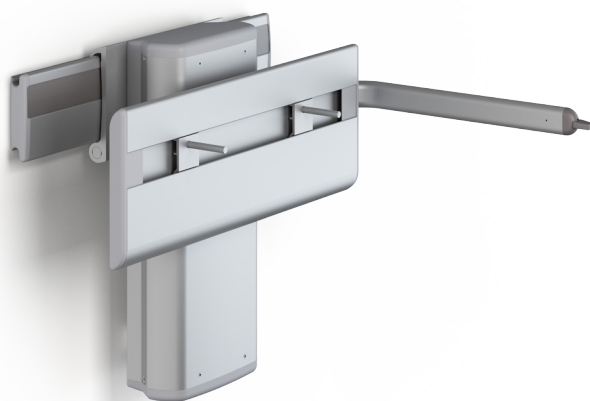
# Wash basin brackets – electric and gas



P. 52-53



P. 75-78



## Height-adjustable wash basin bracket for horizontal wall track

With the horizontal wall track (not included) mounted at the recommended height, the height of the wash basin can be adjusted by 300 mm from 668 mm to 968 mm above floor level.

R4680 is supplied as standard with a gas cylinder for wash basins weighing 16 - 22 kg. However, it is possible to order R4680 with cylinders for wash basins weighing 8 - 12 kg and 12 - 16 kg.

- R4782** Electrically operated wash basin bracket with cordless remote control
- R4781** Electrically operated wash basin bracket with wired hand control
- R4780** Electrically operated wash basin bracket with lever control
- ◀ **R4680** Gas-assisted wash basin bracket with lever control

For placement of plumbing and electrical installations, see pages 72-74



## Height-adjustable wash basin bracket

With the wash basin bracket mounted at the recommended height, the height of the wash basin can be adjusted by 300 mm from 668 mm to 968 mm above floor level.

R4650 is supplied as standard with a gas cylinder for wash basins weighing 16 - 22 kg. However, it is possible to order R4650 with cylinders for wash basins weighing 8 - 12 kg and 12 - 16 kg.

- ◀ **R4752** Electrically operated wash basin bracket with cordless remote control
- R4751** Electrically operated wash basin bracket with wired hand control
- R4750** Electrically operated wash basin bracket with lever control
- R4650** Gas-assisted wash basin bracket with lever control

For placement of plumbing and electrical installations, see pages 72-74



● Its rounded, sleek design greatly facilitates cleaning.

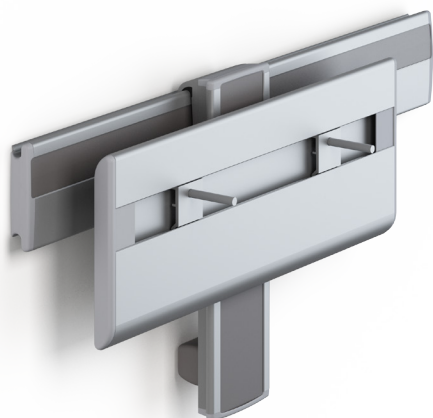
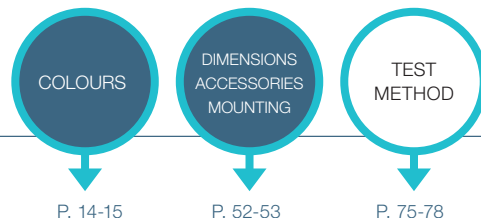
● The wash basin bracket suits all types of bolt-mounted wash basin.

● The bracket enables the height to be adjusted by up to 240 mm.

If the height of the wash basin only needs to be adjusted occasionally, a manually regulated wash basin bracket could be the best solution. This is an obvious choice in dormitories or care homes with en-suite bathrooms, where the wash basin height only needs changing when the physical condition of the user changes or following the arrival of a new user.



# Wash basin brackets – manual



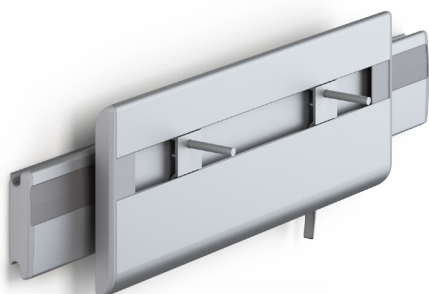
## Height-adjustable wash basin bracket for horizontal wall track

With the horizontal wall track (not included) mounted at the recommended height, the height of the wash basin can be adjusted by 240 mm from 680 mm to 920 mm above floor level.

Adjustment involves supporting the weight of the basin and part of the bracket. Where frequent height adjustment is expected, use gas-assisted wash basin bracket R4650 or electrically operated wash basin bracket R478x, instead.

**R4580yyy** Manually operated wash basin bracket

For placement of plumbing installations, see page 72-73.

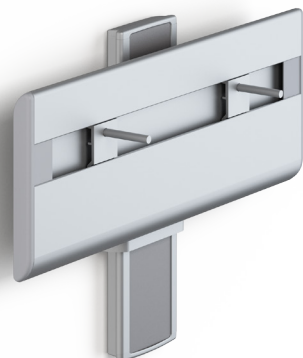


## Wash basin bracket for horizontal wall track

With the horizontal wall track (not included) mounted at the recommended height, the height of the wash basin will be 920 mm above floor level.

**R4560yyy** Manually operated wash basin bracket

For placement of plumbing installations, see page 72-73.



## Height-adjustable wash basin bracket

With the wash basin bracket mounted at the recommended height, the height of the wash basin can be adjusted by 240 mm from 728 mm to 968 mm above floor level.

Adjustment involves supporting the weight of the basin and part of the bracket. Where frequent height adjustment is expected, use gas-assisted wash basin bracket R4650 or electrically operated wash basin bracket R475x, instead.

**R4550yyy** Manually operated wash basin bracket

For placement of plumbing installations, see page 72-73.

# Wash basins and tap



P. 52-53



## MATRIX Small

MATRIX Small is a narrow basin with two integrated handrails in the front. The wash basin has a flat bottom, leaving room for the user's legs underneath. The wash basin has raised edges, preventing water from running over the back or sides of the wash basin.

Tap hole: Ø 36 mm.

- R2020000** Wash basin with integrated handrails and overflow
- ◀ **R2021000** Wash basin with integrated handrails, without overflow



## MATRIX New Curve

The concave front edge stabilises standing as well as seated users. The wash basin slopes down to the front, offering ergonomically correct support for the elbows, while the flat bottom allows room for the user's legs underneath the wash basin.

Tap hole: Ø 36 mm.

- ◀ **R2052000** Wash basin with overflow
- R2053000** Wash basin without overflow



## Mixer tap, sensor-operated

The tap with sensor is simple to install as it is battery powered (6 Volt). The battery has a life of 4-5 years. Infrared sensor technology makes the tap very user-friendly. The water temperature is set on the side of the faucet.

VA-approved (Denmark).

- RT631** Tap with sensor



## Mixer tap, with rotatable spout and ring-shaped operating lever

The ring-shaped operating lever is suitable for disabled users. The long rotatable spout makes it easier for seated users to reach the water and the spout can always be pushed to one side, if it is in the way.

Scald protection prevents unintended water temperatures above 40°C. Integrated water-saving function for high and low flow rates. The lever is spring-loaded, which prevents splashing and unintentional excessive use of water. The small and large water flow rates can be adjusted.

VA-approved (Denmark).

- RT622** Tap, long rotatable spout



## Mixer tap, TMV3-rated

A TMV3 tap featuring anti scald technology, a safe touch body and a self draining spout.

TMV3-rated (United Kingdom).

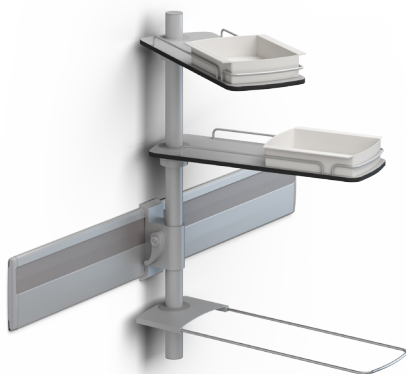
- RT623** TMV3 Anti-scald water tap  
Not suitable for the Nordic markets

**Materials:** Crushed marble with a high-gloss, non-porous sanitation coating, ceramics and chromium-plated brass.

# Modular shelves

DIMENSIONS  
ACCESSORIES  
MOUNTING

P. 54-55



## Modular shelves for horizontal wall track

With modular shelving on a horizontal wall track, articles for personal hygiene can be moved to where they are needed, e.g. in the shower.

- ◀ **RT476** 600 mm rod, 2 shelves, towel holder, 2 trays
- RT474** 400 mm rod, 1 shelf, towel holder, 1 tray



## Modular shelves for mounting on wash basin brackets

Modular shelves mounted on a wash basin bracket will move up and down and sideways with the basin.

- ◀ **RT481** 600 mm rod, 2 shelves, towel holder, 2 trays
- RT480** 400 mm rod, 1 shelf, towel holder, 1 tray



## Fitted modular shelves

The basket, RT765 (see page 48), fits into the towel holder on the modular shelves. It is easy to carry into e.g. a hospital ward, enabling each patient to bring their own personal care articles.

- ◀ **RT491000** 600 mm rod, 2 shelves, towel holder, 2 trays
- RT490000** 400 mm rod, 1 shelf, towel holder, 1 tray

# Focus on feeling secure



● The end of the support arm offers good support when sitting down or getting up. It is also designed so the user will recognise by feel where the support arm ends.

● A solid toilet seat with stabilising buffers, which hold the seat securely in position on the toilet bowl, provide an extra sense of security when transferring a user, e.g. to and from a wheelchair.

● Some support arms have a built-in spring-loaded counter-balancing mechanism, which makes the arm close to weightless for easy movement.

● The non-slip surface ensures a firm yet comfortable grip.

The area in the immediate vicinity of the toilet is central in bathrooms designed for special needs. It is important there is plenty of space around the toilet, so mobility aids can easily be moved around and any carers can avoid awkward or strenuous working positions. Regardless of whether the room is large or small, it makes sense to equip the bathroom with horizontal wall tracks, making it possible to position the wash basin and support arms alternately closer to and further away from the toilet and user.

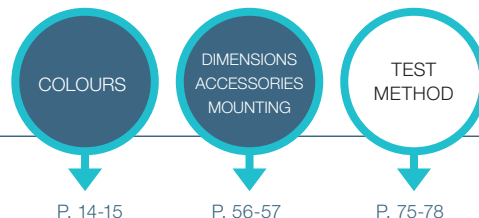
Ergonomically shaped support arms provide a sense of security for seated users while also facilitating the task of transferring to and from wheelchairs etc. A good support arm also enables users to rest their arms comfortably while providing optimum support when getting up and sitting down. The PLUS support arms can be folded up against the wall when not in use.

● Support arms mounted on wall tracks ensure considerable flexibility in relation to individual user needs for space and support.

● The folding support arms create more space in the room by folding away when not in use.



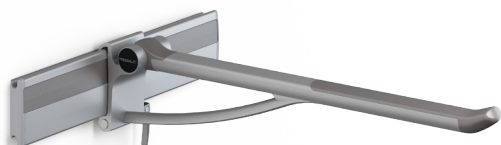
# Support arms



## Height-adjustable support arms for horizontal wall track

With the horizontal wall track (not included) mounted at the recommended height, the height of the support arm can be adjusted by 240 mm from 645 to 885 mm above floor level.

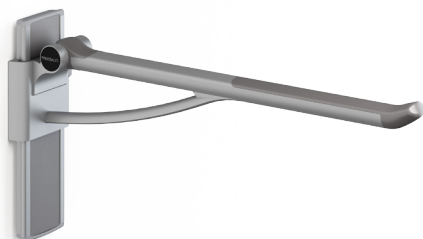
- ◀ **R3585yyyxxx** 920 mm, right-hand operated
- R3575yyyxxx** 920 mm, left-hand operated
- R3560yyyxxx** 670 mm, right-hand operated
- RF585yyyxxx** 920 mm, counterbalanced, right-hand operated
- RF575yyyxxx** 920 mm, counterbalanced, left-hand operated
- RF560yyyxxx** 670 mm, counterbalanced, right-hand operated



## Support arms for horizontal wall track

With the horizontal wall track (not included) mounted at the recommended height, the support arm will be positioned 854 mm above the floor.

- ◀ **R3285xxx** 880 mm, right-hand operated
- R3260xxx** 630 mm, right-hand operated



## Height-adjustable support arms

With the vertical wall track mounted at the recommended height, the height of the support arm can be adjusted by 240 mm from 645 to 885 mm above floor level.

- R3185yyyxxx** 880 mm, right-hand operated
- R3175yyyxxx** 880 mm, left-hand operated
- R3160yyyxxx** 630 mm, right-hand operated
- ◀ **RF185yyyxxx** 880 mm, counterbalanced, right-hand operated
- RF175yyyxxx** 880 mm, counterbalanced, left-hand operated
- RF160yyyxxx** 630 mm, counterbalanced, right-hand operated

Height-adjustable support arms for retrofitting to PLUS wall track or SELECT toilet lifters with side profiles

- R3108xxx** 880 mm, right-hand operated. Without wall track
- R3107xxx** 880 mm, left-hand operated. Without wall track
- R3106xxx** 630 mm, right-hand operated. Without wall track
- R3105xxx** 630 mm, left-hand operated. Without wall track
- R3127xxx** 700 mm, right-hand operated. Without wall track
- R3117xxx** 700 mm left-hand operated. Without wall track
- RF108xxx** 880 mm, counterbalanced, right-hand operated. Without wall track
- RF107xxx** 880 mm, counterbalanced, left-hand operated. Without wall track
- RF106xxx** 630 mm, counterbalanced, right-hand operated. Without wall track
- RF105xxx** 630 mm, counterbalanced, left-hand operated. Without wall track
- RF127xxx** 730 mm, counterbalanced, right-hand operated. Without wall track
- RF117xxx** 730 mm, counterbalanced, left-hand operated. Without wall track



## Fixed support arms

With the wall bracket mounted at the recommended height, the support arm will be positioned 850 mm above the floor.

- ◀ **R3085xxx** 850 mm
- R3060xxx** 600 mm
- RF085xxx** 850 mm, counterbalanced
- RF060xxx** 600 mm, counterbalanced

yyy = colour of frontplate for track.  
xxx = colour of support arm.

Materials: Aluminium, plastic, two-component plastic.

# Toilets



P. 58-59



## Toilet, wall-hung

A 700 mm wall-hung toilet is recommended for bathrooms which will be used by wheelchair users, especially where sideways transfers are expected. An extra long toilet pan also allows more space for carers. Backrest recommended.

A wall-hung toilet pan can be mounted at whichever height is required.

A wall-hung toilet also allows space for a wheelchair's foot supports, the legs of a mobile hoist and the carer's feet.

Last, but not least, it also makes it easier to clean the floor.

- ◀ **R2099000** Toilet, 700 mm
- R2091000** Toilet, 540 mm



## Toilet, floor-standing model

Pan height without toilet seat: 460 mm.

Supplied with dual flush, pre-set to 3/6 litres.  
Can be re-set to 2/4 litres.

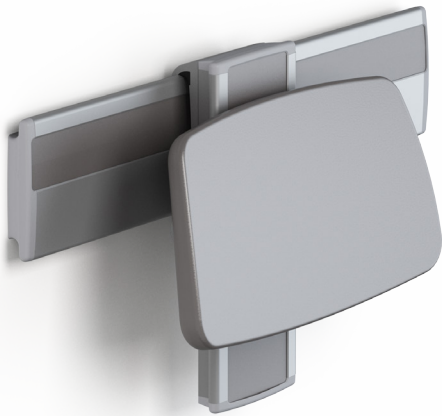
- R2097000** Toilet, high model, S-trap



# Backrests



P. 14-15



## ⬆️ Height-adjustable backrest for horizontal wall track

Recommended for wall-hung toilets with a wall-to-front distance of 700 mm.

**R6530yyyxxx** Backrest for toilet without cistern. 150 mm height-adjustable.



## ⬆️ Backrest for horizontal wall track

Recommended for wall-hung toilets with a wall-to-front distance of 700 mm.

**R6520xxx** Backrest for toilet without cistern



## ● Backrest, fixed

For toilets with elevated cisterns.  
Not to be used with concealed cisterns.

**R6510xxx** Backrest for toilet without cistern

**yyy** = colour of frontplate for track.  
**xxx** = colour of backrest.

**Materials:** Aluminium, soft PUR foam with marine plywood core

# Toilet seats



P. 14-15



P. 60-63



## Dania

An anatomically well-designed seat which is suitable for most people. Sideways transfer is easy, as the seat is relatively flat. The cover is comfortable to sit on, and when raised provides good back support.

Dania is also available in a version with an open front, which makes it suitable for using as a bidet with easy access for a hand shower. It is also suitable for use in hospitals, as most bedpans will fit into the bowl with the handle placed in the open front.

Supplied with universal hinges B82/B83 as standard. Also available with institutional hinges D92 or anti-theft and vandal-proof hinges BZ7.

- R27xxx** Dania without cover, with hinges
- ◀ **R37xxx** Dania with cover, with hinges
- R28000** Dania without cover, open front, with hinges
- R38000** Dania with cover, open front, with hinges



## Ergosit

Large, wide sitting surface with good support. Especially well-suited for "large" adults with digestive problems.

The bowels are stimulated by the seat's contoured surface that presses and acts on the thigh muscles and nerves.

Grooves at the back prevent the user's bottom from sticking to the seat.

Supplied with institutional hinges D92 as standard. Also available with anti-theft and vandal-proof hinges BZ7.

- R29000** Ergosit, without cover, with hinges
- ◀ **R30000** Ergosit, with cover, with hinges



## Colani

The curved bowl shape supports and stabilises the pelvic region and also makes the seat well-suited for children (aged 6+ years) with muscular atrophy.

The raised side edges are easy to hold when the body needs to be stabilised. The cover is comfortable to sit on, and when raised provides good back support.

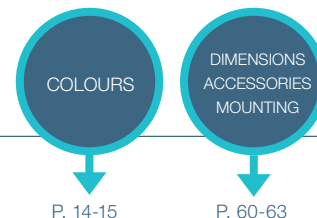
Supplied with universal hinges B82/B83 as standard. Also available with institutional hinges D92 or anti-theft and vandal-proof hinges BZ7.

- R26000** Colani, without cover, with hinges
- ◀ **R36000** Colani, with cover, with hinges

xxx = colour of toilet seat.

**Materials:** Thermoset plastic, plastic, stainless steel.

## Raised toilet seats



### Toilet seats, 50 mm raised

Dania R43000 is supplied with a splash guard as standard.  
For other Dania seats, the splash guard T9516 must be ordered separately, if required.

<b>R21000</b>	Dania, 50 mm, open front, without cover
◀ <b>R31000</b>	Dania, 50 mm, open front, with cover
<b>R23000</b>	Dania, 50 mm, without cover
<b>R23011</b>	Aania, 50 mm, without cover, polygiene
<b>R33000</b>	Dania, 50 mm, with cover
<b>R43011</b>	Dania, 50 mm, with cover, polygiene
<b>R43000</b>	Dania, 50 mm, with cover, with splash guard
<b>R19000</b>	Ergosit, 50 mm, without cover
<b>R20000</b>	Ergosit, 50 mm, with cover



### Toilet seats, 100 mm raised

All Dania 100 mm are supplied with a splash guard T9515 as standard.

<b>R22000</b>	Dania, 100 mm, open front, without cover, with splash guard
<b>R32000</b>	Dania, 100 mm, open front, with cover, with splash guard
<b>R24000</b>	Dania, 100 mm, without cover, with splash guard
◀ <b>R34000</b>	Dania, 100 mm, with cover, with splash guard



### Toilet seat, 50/100 mm slanted


Dania 50/100 mm is supplied with a splash guard T9515 as standard.

<b>R35000</b>	Dania, 50/100 mm, slanted, with cover, with splash guard
---------------	----------------------------------------------------------

# Dreams of well-being

It is always nice and relaxing to take a shower - especially if you are sitting comfortably and feel secure. Bathroom comfort can be enhanced with good and practical aids such as a height-adjustable shower seat and a moveable shower mixer. A shower mixer, modular shelving and shower seat mounted on a horizontal track create the optimum conditions for both independent and dependent users.





● A hand shower should be easy to use – even for people with limited movement or strength in their hands.

● The shower head holder attached to a handrail combination combines adjustment of the shower head with reliable support and gives users a greater sense of independence.

● The shower seat can easily be moved when a standing user needs to take a shower. It folds away to free up extra floor space when not in use.



● The seat, backrest and armrests can be adjusted simultaneously thanks to a safe and easy click system. The armrests can also be adjusted independently of the seat and backrest.

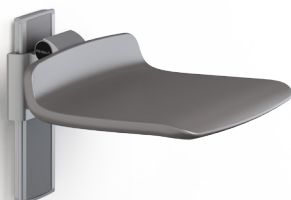
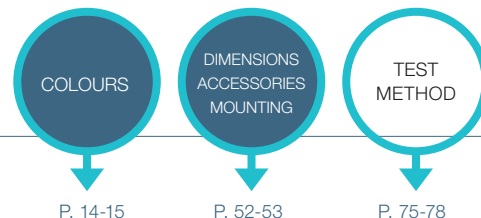
● With electrical operation, it is possible for the carer to adjust the seat to a good working height while the user is seated on it.

● The seat is made of a soft and non-slip material, which never feels cold and is comfortable to sit on, yet is easy to clean.

● The seat is also available in a version with an aperture to facilitate intimate hygiene.

Thanks to the numerous ways in which it can be combined with other products, the shower seat is a good example of the flexibility of the Pressalit Care PLUS series. The seat can be configured and adjusted to meet the requirements of the individual user or situation. Beautifully designed and made from soft, non-slip materials, the shower seat exudes high quality and sitting comfort.

# Shower seat 450



## Height-adjustable shower seats for horizontal wall track

With the horizontal wall track (not included) mounted at the recommended height, it is possible to adjust the height of the shower seat as follows: Electric: 500 mm. 200 - 700 mm above floor level. Manual without armrests: 380 mm. 350 - 730 mm above floor level. Manual with armrests: 195 mm. 350 - 545 mm above floor level.

- ◀ **R7480xxx** Electrically operated shower seat with backrest and armrests incl. wired hand control
- R7481xxx** Electrically operated shower seat with aperture, with backrest and armrests incl. wired hand control.
- R7450yyyxxx** Manually adjusted shower seat with backrest and armrests
- R7451yyyxxx** Manually adjusted shower seat with aperture, with backrest and armrests
- R7440yyyxxx** Manually adjusted shower seat with backrest
- R7441yyyxxx** Manually adjusted shower seat with aperture, with backrest

For placement of electrical installations, see page 74.

## Height-adjustable shower seats

With the vertical wall track mounted at the recommended height, it is possible to adjust the height of the shower seat as follows: Electric: 500 mm. 200 - 700 mm above floor level. Manual without armrests: 380 mm. 355 - 735 mm above floor level. Manual with armrests: 195 mm. 355 - 550 mm above floor level.

- R7470xxx** Electrically operated shower seat with backrest and armrests incl. wired hand control
- R7471xxx** Electrically operated shower seat with aperture, with backrest and armrests incl. wired hand control.
- R7430yyyxxx** Manually adjusted shower seat with backrest and armrests
- ◀ **R7431yyyxxx** Manually adjusted shower seat with aperture, with backrest and armrests
- R7420yyyxxx** Manually adjusted shower seat with backrest
- R7421yyyxxx** Manually adjusted shower seat with aperture, with backrest

For placement of electrical installations, see page 74.

## Height-adjustable shower seats

With the vertical wall track mounted at the recommended height, the height of the shower seat can be adjusted 240 mm from 380 - 620 mm above floor level.

- ◀ **R7410yyyxxx** Manually adjusted shower seat
- R7411yyyxxx** Manually adjusted shower seat with aperture

## Fixed shower seat

When mounted at the recommended height, the height of the shower seat will be 400 mm above floor level.

- R7408xxx** Shower seat

yyy = colour of frontplate for track.

xxx = colour of shower seat, back- and armrests.

Materials: Aluminium, soft PUR foam with marine plywood core, plastic, two-component plastic



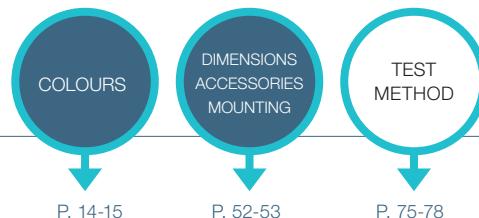
● The seat, backrest and armrests can be adjusted simultaneously thanks to a safe and easy click system. The armrests can also be adjusted independently of the seat and backrest.

● The height of the seat can be adjusted by up to 250 mm.

The shower seat, which is suitable for children and small adults, is made from soft and warm materials which make bathing a pleasant experience. The height of the height-adjustable model is set manually, and both the seat and the armrests can be folded up against the wall after use.



# Shower seat 310



## Height-adjustable shower seat for horizontal wall track

With the horizontal wall track (not included) mounted at the recommended height, the height of the shower seat can be adjusted by 250 mm from 305 - 555 mm above floor level.

**R7330yyyxxx** Manually adjusted shower seat with backrest and armrests



## Height-adjustable shower seat

With the vertical wall track mounted at the recommended height, the height of the shower seat can be adjusted by 250 mm from 305 to 555 mm above floor level.

**R7320yyyxxx** Manually adjusted shower seat with backrest and armrests



## Fixed shower seat

When mounted at the recommended height, the height of the shower seat will be 400 mm above floor level.

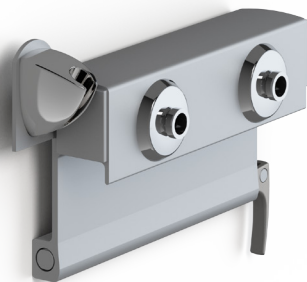
**R7310xxx** Shower seat  
**R6310xxx** Backrest 300 mm

**yyy** = colour of frontplate for track.

**xxx** = colour of shower seat, back- and armrests.

**Materials:** Aluminium, soft PUR foam with marine plywood core, plastic, two-component plastic

## Shower accessories



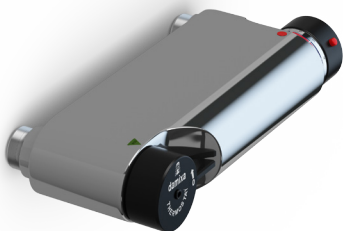
### Shower mixer bracket for mounting on horizontal wall track

1200 mm feed hoses included. The holder for the hand shower can be mounted on the left or right as required.

The shower mixer bracket is compatible with all mixer taps that comply with ordinary plumbing standards.

The moveable shower mixer bracket makes it possible to position the hand shower and mixer tap as required. Outside the shower zone, the unit can be used beside the wash basin for washing hair or at the toilet as a bidet function.

**RT760** Shower mixer bracket



### Shower mixer

User-friendly operating handles in contrasting black, which are easy to see against the chrome mixer.

The extra long handles on the RT641 are made of smoke-coloured plastic.

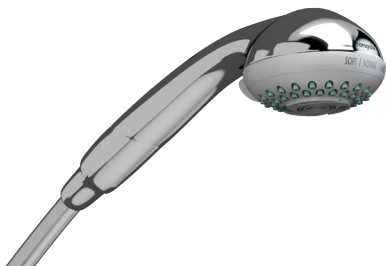
Scald protection prevents unintended water temperatures exceeding 38°C.

The shower mixer is heat-insulated.

Can be mounted on shower mixer bracket RT760.

VA-approved (Denmark).

- ◀ **RT640** Shower mixer with thermostat
- RT641** Shower mixer with thermostat and extra long handles



### Hand shower

The curved shape of the handle and the weight balance between the head and handle make the shower head suitable for weak hands.

An adjustment ring makes it easy to change the spray mode. The silicone spray jets are easy to keep free of limescale.

A 2000 mm shower hose and swivel joints allow the shower head to be used over a large radius.

VA-approved (Denmark).

- RT610** Shower head, one spray mode
- ◀ **RT611** Shower head, three spray modes (standard, soft, massage)



### Opening shower curtain rail

For use in rooms with ceiling hoists. The two opening shower curtain rails can pivot 90° in either direction so that a ceiling hoist can pass.

May also be used as room dividers.

Incl. 2 x 12 curtain rings.

**RT225** Opening shower curtain rail 1500 x 1500 mm



### Shower curtain rail

Incl. 2 x 12 curtain rings and ceiling support, 600 mm (can be shortened on site).

**RT212xxx** Shower curtain rail 1200 x 1200 mm



### Shower head holder

The shape of the shower head holder and the locking system facilitate height adjustment – even for weak hands.

Thanks to the click system, the angle of the hand shower – and thereby the stream of water – can easily be adjusted as desired.


Mounted on a vertical handrail measuring 1000 mm in length, the shower head holder is suitable for both seated and standing users. At the same time, the rail provides support in the shower. See the handrails on page 46.

**RT600xxx** Shower head holder for vertical handrail

# Guaranteed functionality

A bathroom often has to meet very different user needs while also living up to a wide range of general requirements in relation to the working environment and financial resources. Pressalit Care's PLUS series solves most of these challenges, even in small bathrooms.

As a supplement to the track system, Pressalit Care offers a wide selection of functional accessories which, depending on the situation, are suitable for one or more of the bathroom's key functions, and which are designed to ensure increased security and comfort. The range, which comprises high-quality products, can be combined in countless ways and provides the final touch to furnishing a functional and flexible bathroom.



● With a paper holder mounted on the support arm, toilet paper is always within easy reach.



● With a basket mounted on the track, everything is close to hand.

● A reliable handrail solution with a wealth of different options can easily lay the grounds for increased independence.

# Handrails



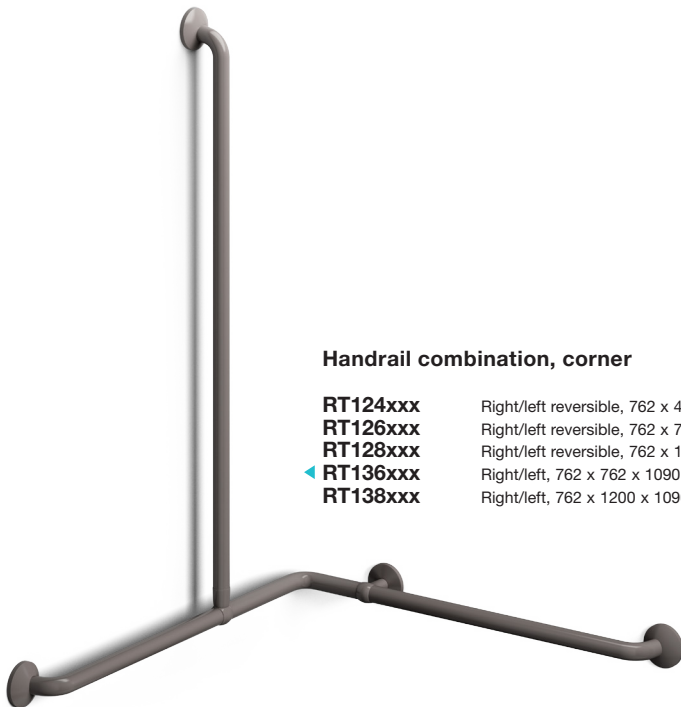
### Handrails, angled

<b>RT110xxx</b>	135°, 450 x 450 mm
<b>RT114xxx</b>	90°, right, 400 x 475 mm
<b>RT115xxx</b>	90°, left, 400 x 475 mm
◀ <b>RT118xxx</b>	90°, right, 400 x 900 mm
<b>RT119xxx</b>	90°, left, 400 x 900 mm



### Handrails

<b>RT100xxx</b>	300 mm
<b>RT101xxx</b>	450 mm
▲ <b>RT102xxx</b>	600 mm
<b>RT103xxx</b>	800 mm
<b>RT104xxx</b>	1000 mm



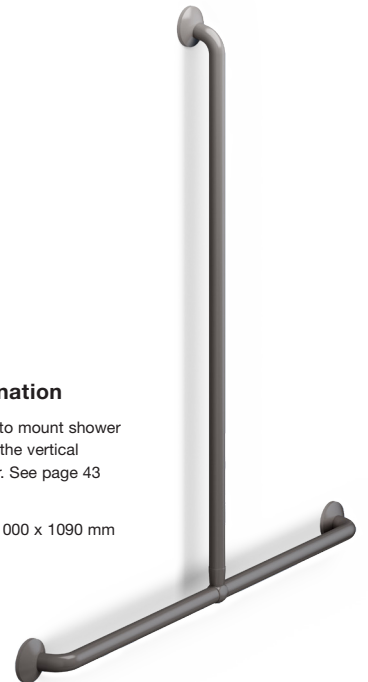
### Handrail combination, corner

<b>RT124xxx</b>	Right/left reversible, 762 x 475 mm
<b>RT126xxx</b>	Right/left reversible, 762 x 762 mm
<b>RT128xxx</b>	Right/left reversible, 762 x 1200 mm
◀ <b>RT136xxx</b>	Right/left, 762 x 762 x 1090 mm
<b>RT138xxx</b>	Right/left, 762 x 1200 x 1090 mm

### Handrail combination

It can be a good thing to mount shower head holder RT600 on the vertical handrails in the shower. See page 43

<b>RT144xxx</b>	1000 x 1090 mm
-----------------	----------------



xxx = colour of handrails.

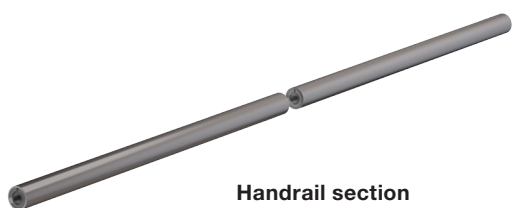
**Materials:** Powder-coated aluminium, plastic.



P. 14-15

P. 52-53

P. 75-78



### Handrail section

▲ RT300xxx	300 mm
▲ RT303xxx	1200 mm
RT307xxx	2400 mm



### Handrail section

Incl. wall rosette.

RT320xxx	321 mm
▲ RT321xxx	608 mm
RT322xxx	746 mm
RT323xxx	1046 mm



### Handrail section with strap

Incl. wall rosette.

RT330xxx	365 mm
◀ RT331xxx	652 mm
RT332xxx	790 mm
RT333xxx	1090 mm



### Angled handrail section with vertical angle

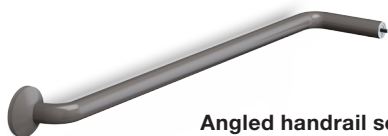
Incl. wall rosette.

▲ RT340xxx	Right 400 x 154 mm
RT341xxx	Left 400 x 154 mm



### 90° handrail angle

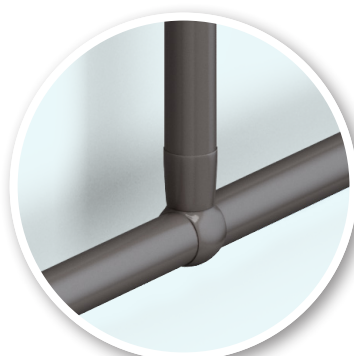
RT350xxx	154 x 154 mm
----------	--------------



### Angled handrail section with horizontal angle

Incl. wall rosette.

RT345xxx	762 x 154 mm
----------	--------------



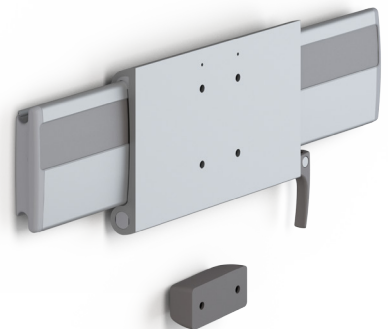
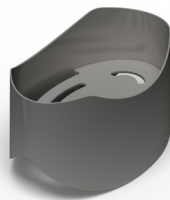
### Handrail fittings

RT360xxx	Rosette with strap
RT361xxx	Rosette with strap and male and female connectors
◀ RT362xxx	End piece with strap
RT363xxx	Rosette

# Bathroom accessories



P. 14-15



## Wire baskets for horizontal track

RT765 fits the modular shelves' towel holder.  
See page 27.

- RT764 Wire basket for waste, 297 x 222 x 344 mm
- ▲ RT765 Universal basket, 326 x 116 x 136 mm
- RT766 Basket for face cloths, 212 x 212 x 174 mm
- RT767 Wire basket for nappies, 402 x 212 x 174 mm
- RT769 Universal shelf, 430 x 148 x 136 mm

## Soap holder for handrail

RT190xxx Soap holder

## Cupboard bracket

RT770 Cupboard bracket



## Mirror

RT924 Mirror 600 x 1000 x 5 mm, incl. 4 mirror fittings

## Towel hooks

- RT951 Hooks, 2 pcs
- ▲ RT952 Hooks, curve, 2 pcs
- RT953 Hook, large, 1 pcs

## Various holders and toilet brush

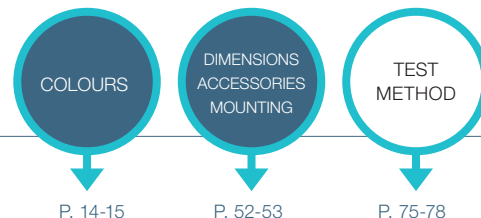
- RT945 Toilet paper holder
- RT946 Spare paper holder
- RT947 Wall-mounted toilet brush

xxx = colour of soap holder.

Materials: Rilsan-coated and powder-coated steel, plastic, aluminium.



# Folding seats



## ⬆️ Height-adjustable folding seat for horizontal wall track.

With the horizontal wall track mounted at the recommended height (852 mm), the height of the folding seat can be adjusted by 440 mm from 445 - 885 mm above floor level.

The folding seat is ideal when extra seating is required, but space is limited. This is usually the case in places where it might be necessary to take a rest, e.g. in the kitchen, lift, corridor or when dressing and undressing in the bathroom.

Recommendation: only suitable for persons with good independent living capability.

**R5530yyyxxx** Seat



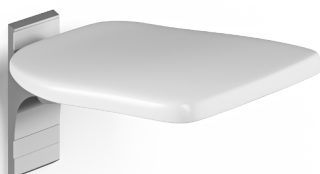
## ⬇️ Height-adjustable folding seat

With the vertical wall track mounted at the recommended height, the height of the folding seat can be adjusted by 240 mm from 365 - 605 mm above floor level.

The folding seat is ideal when extra seating is required, but space is limited. This is usually the case in places where it might be necessary to take a rest, e.g. in the kitchen, lift, corridor or when dressing and undressing in the bathroom.

Recommendation: only suitable for persons with good independent living capability.

**R5520yyyxxx** Seat



## ● Fixed height folding seat

When mounted at the recommended height, the height of the folding seat will be 440 mm above floor level.

The folding seat is ideal when extra seating is required, but space is limited. This is usually the case in places where it might be necessary to take a rest, e.g. in the kitchen, lift, corridor or when dressing and undressing in the bathroom.

Recommendation: only suitable for persons with good independent living capability.

**R5510xxx** Seat

**yyy** = colour of frontplate for track.  
**xxx** = colour of folding seat.

**Materials:** Aluminium, thermoset plastic, plastic.

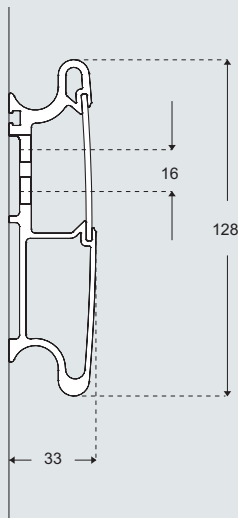
# Wall tracks

## – dimensions, mounting and accessories

### Wall tracks

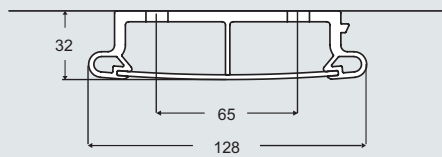
#### Horizontal wall track

R9806  
R9809  
R9812  
R9815  
R9818  
R9821  
R9824



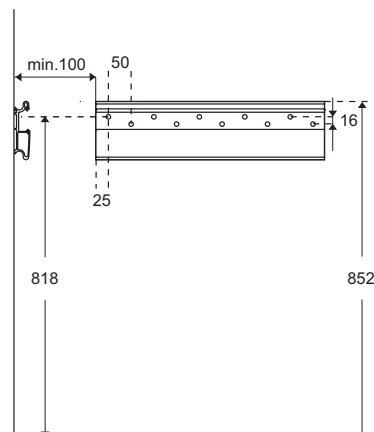
#### Vertical wall track

R9864



### Mounting of wall tracks

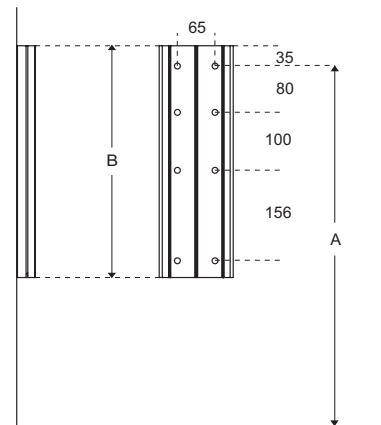
#### Mounting – horizontal track



Mounted with 2 screws per 100 mm of track.  
Distance to corners: 100 mm – this distance ensures that, after the track has been mounted, the front panel can smoothly slide into place. The recommended distance from the floor to the top row of bolts is 818 mm.

Note: Mounting bolts are not included, but must be ordered separately.

#### Mounting – vertical track

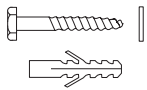


The vertical tracks are mounted at different heights – depending on the product: Height distance A is the distance from the floor to the top holes. Length B is the length of the track.

Note: Mounting bolts are not included, but must be ordered separately.

Accessories

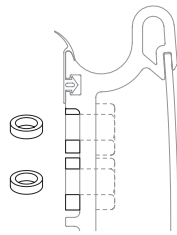
V8501 / V8502



**Mounting kit:**

M8 x 70 bolts with SX10 wall plugs.  
Max. requirement: 20 bolts per metre.  
V8501: 6 pcs.  
V8502: 10 pcs.

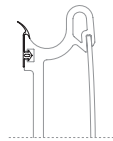
LA8817



**Sealing washers:**

10 washers for sealing around  
the mounting bolts.

V8530



**Sealing strip:**

3000 mm long strip for sealing join  
between track and wall.

RT761



**Track stop:**

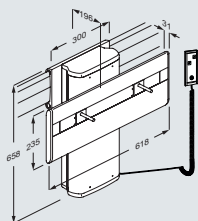
For horizontal track.

# Wash basin brackets for electric, gas and manual – dimensions, mounting and accessories

## Wash basin bracket for electric and gas

### Height and sideways adjustable

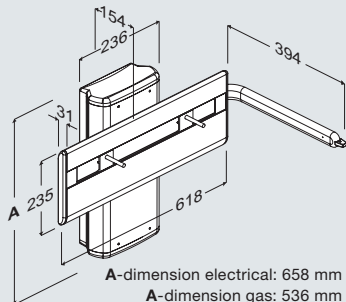
R4782 ▶  
R4781  
R4780  
R4680



A-dimension electrical: 658 mm  
A-dimension gas: 536 mm

### Height-adjustable

R4752  
R4751  
R4750  
R4650 ▶

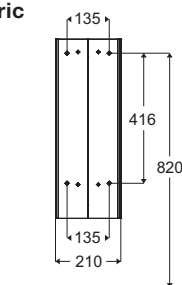


Se page 23.

A-dimension electrical: 658 mm  
A-dimension gas: 536 mm

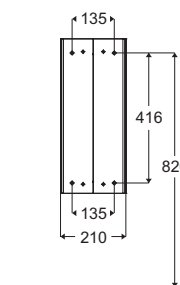
## Mounting of wash basin bracket electric and gas

### Mounting – electric



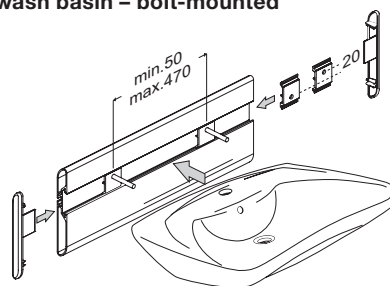
Mounting kit for solid brick wall included.

### Mounting – gas



Mounting kit for solid brick wall included.

### Mounting of wash basin – bolt-mounted

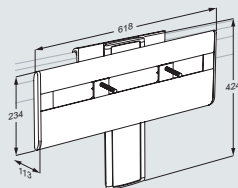


Bolt distance: Min. 50 – max. 470 mm.

## Wash basin bracket manual

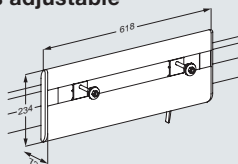
### Height and sideways adjustable

R4580



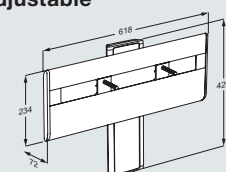
### Sideways adjustable

R4560



### Height-adjustable

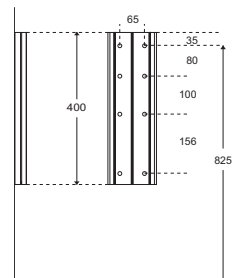
R4550



Se page 25.

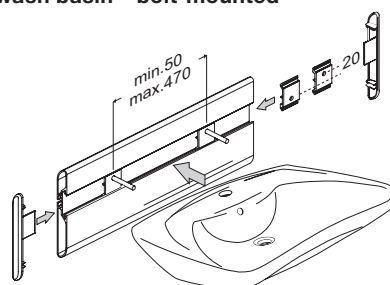
## Mounting of wash basin bracket manual

### Mounting – vertical track



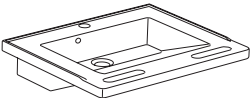
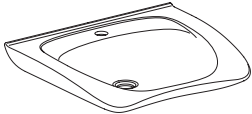

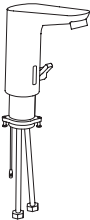
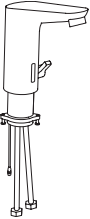
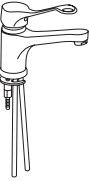
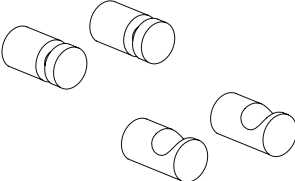
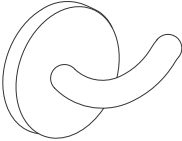
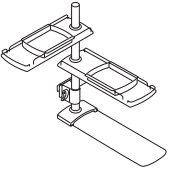
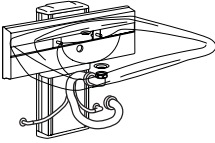
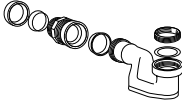
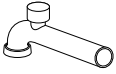
Fixing bolts must be ordered separately. See page 51.

### Mounting of wash basin – bolt-mounted



Bolt distance: Min. 50 – max. 470 mm.

Accessories

<p><b>R2020 / R2021</b></p>  <p><b>MATRIX Small wash basin:</b> R2020: With integrated handrails and overflow R2021: With integrated handrails without overflow: See page 26.</p>	<p><b>R2052 / R2053</b></p>  <p><b>MATRIX New Curve</b> R2052: Wash basin with overflow R2053: Wash basin without overflow See page 26.</p>	<p><b>R2050 / R2051</b></p>  <p><b>MATRIX Curve</b> R2050: Wash basin with overflow R2051: Wash basin without overflow See page 26.</p>	<p><b>RT623</b></p>  <p><b>Mixer Tap</b> TMV3-rated (Not suitable for the Nordic markets). See page 26.</p>
<p><b>RT631</b></p>  <p><b>Mixer Tap</b> Sensor-operated See page 26.</p>	<p><b>RT622</b></p>  <p><b>Mixer Tap</b> Long rotatable spout See page 26.</p>	<p><b>RT951 / RT952</b></p>  <p><b>Hooks:</b> RT951: Hooks, 2 pcs. RT952: Hooks, curved 2 pcs. See page 26.</p>	<p><b>RT953</b></p>  <p><b>Hook</b> Hook, large, 1 pcs. See page 26.</p>
<p><b>RT481 / RT480</b></p>  <p><b>Modular shelving:</b> Mounted on the wash basin bracket and follows the wash basin, both vertically and horizontally. See page 27.</p>	<p><b>R2061 / R2064 / R2065 R2071 / R2074 / R2075 R2081 / R8084 / R2085</b></p>  <p><b>Flexible feed and waste system</b> Needed with all wash basin brackets. See page 72.</p>	<p><b>R2058</b></p>  <p><b>Water trap, shallow</b></p>	<p><b>R2059</b></p>  <p><b>Air relief kit.</b></p>

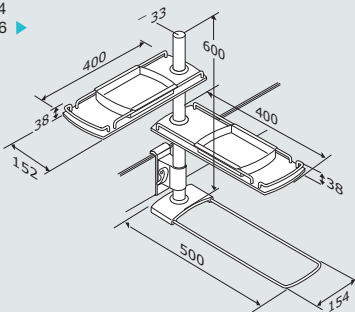
# Modular shelves

## – dimensions, mounting and accessories

### Modular shelving

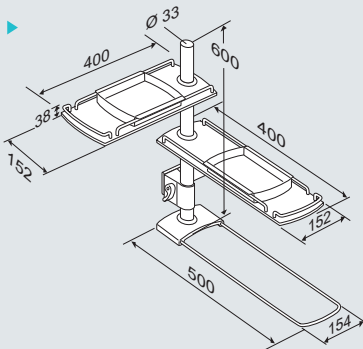
#### Sideways adjustable

RT474  
RT476 ▶



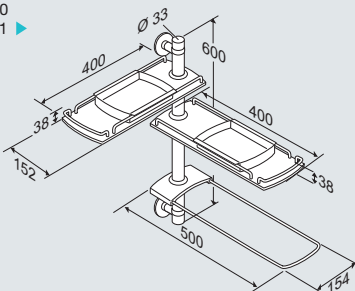
#### For mounting on wash basin brackets

RT480  
RT481 ▶



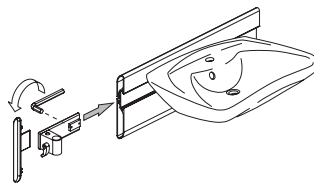
#### Fixed

RT490  
RT491 ▶



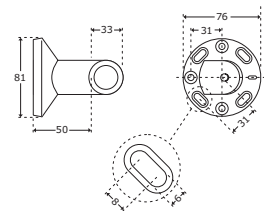
### Mounting of modular shelving

#### Mounting on bracket



Can be mounted on either side of the bracket.

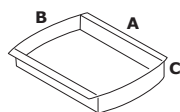
#### Mounting on wall



Mounting screws for solid brick wall are included.

Accessories

RT440000



**Tray:**  
For shelf, towel holder and  
universal shelf.  
A: 180 mm  
B: 130 mm  
C: 36 mm

RT765



**Universal basket:**  
Can be placed in the towel holder or  
directly on the wall track.  
See page 48.

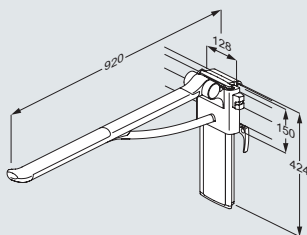
# Support arms

## – dimensions, mounting and accessories

### Support arms

#### Height and sideways adjustable

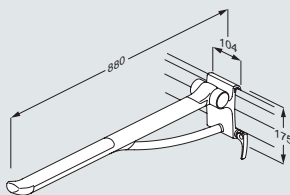
R3560  
R3575  
R3585 ▶  
RF560  
RF575  
RF585



Projection when folded: 250 mm

#### Sideways adjustable

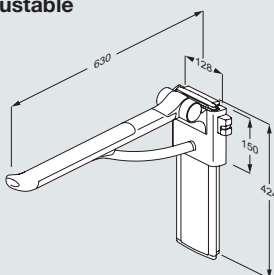
R3260  
R3285 ▶



Projection when folded: 210 mm

#### Height-adjustable

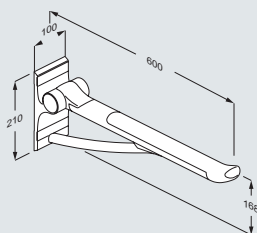
R3160 ▶  
R3175  
R3185  
RF160  
RF175  
RF185  
R3105  
R3106  
R3107  
R3108  
R3117  
R3127  
RF105  
RF106  
RF107  
RF108  
RF117  
RF127



Projection when folded: 215 mm

#### Fixed

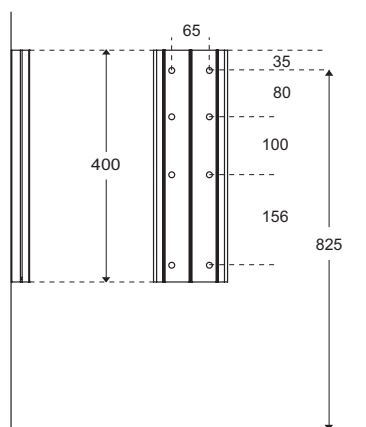
R3060  
R3085  
RF060  
RF085



Projection when folded: 186 mm

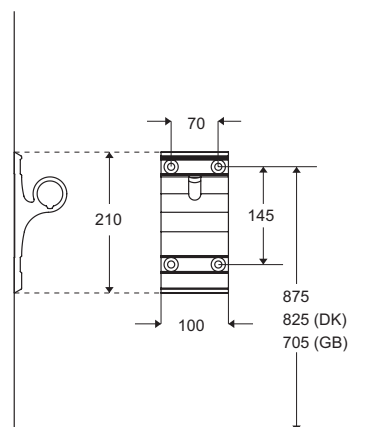
### Mounting of support arms

#### Mounting – vertical track



Wall mounting kit must be ordered separately.  
See page 51.

#### Mounting – fixed

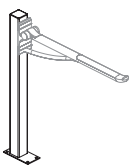


Mounting kit for solid brick wall included.



Accessories

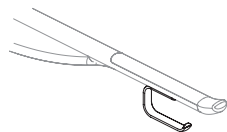
**R9430 / R9431**



**Floor column:**

Used with free-standing toilets, or where it is not possible to mount the support arms on the wall. R9430 for fixed supports – R9431 for 240 mm height-adjustable supports.

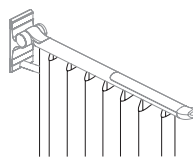
**R9321**



**Paper holder:**

For fitting under the support arm.

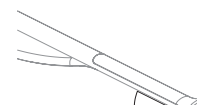
**R9311000**



**Shower curtain:**

For mounting to underside of PLUS support arm with length of 850 mm or more. 830 x 1000 mm.

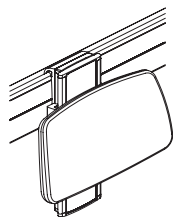
**R9342**



**Flush buttons:**

Function together with selected Geberit built-in cisterns. Contact your local subsidiary of Pressalit Care for further information.

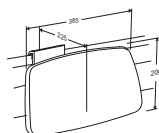
**R6530**



**Height-adjustable backrest for horizontal wall track:**

Recommended for wall-hung toilets with a wall to front distance of 700 mm. See page 32.

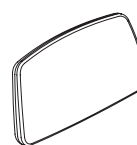
**R6520**



**Backrest for horizontal wall track:**

Recommended for wall-hung toilets with a wall to front distance of 700 mm. See page 33.

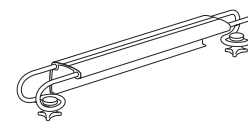
**R6510**



**Backrest, fixed:**

For toilets with elevated cisterns. Not for use with concealed cisterns. See page 33.

**RT835 / RT873 / RT874**



**Front and back support for shower seats and support arms:**

Place in front of or behind the user. Stabilises and supports users with poor sense of balance.

RT835 for support arms.  
RT873 for shower seat 310 and support arms.  
RT874 for shower seat 450 and support arms.

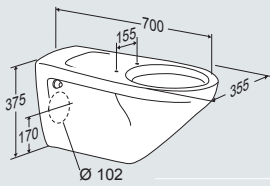
For colour options see page 15.

# Toilets

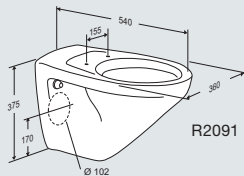
## – dimensions, mounting and accessories

### Toilets

#### Toilet, wall-hung



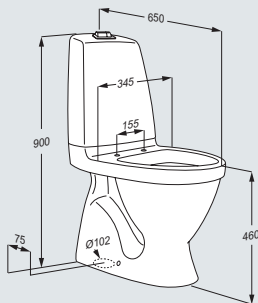
R2099



R2091

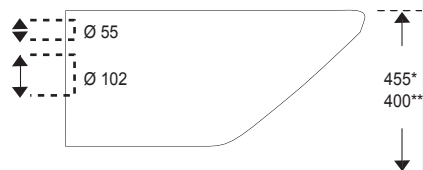
#### Toilet, floor-standing model

R2097

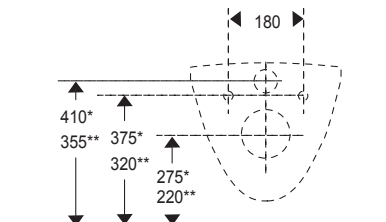


### Mounting of toilets

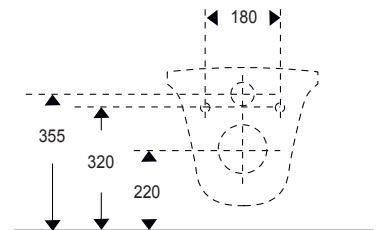
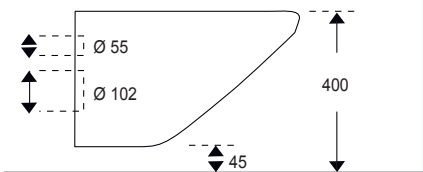
#### R2090



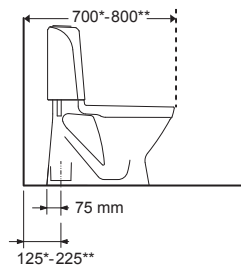
\* DIN 18025 / \*\* Standard height



#### R2091



#### R2097



\* Standard distance / \*\* Recommended in e.g. Denmark

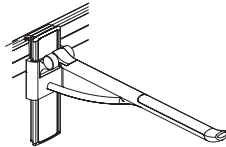
Accessories

**R26 / R27 / R28  
R36 / R37 / R38**



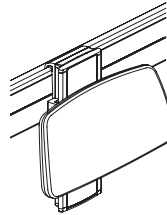
**Toilet seat:**  
See pages 34-35.

**R3585**



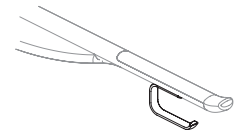
**Support arm:**  
For maximum support. See page 31.

**R6530**



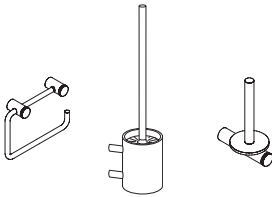
**Height-adjustable backrest for horizontal wall track:**  
Recommended for wall-hung toilets with a wall to front distance of 700 mm.  
See page 33.

**R9321**



**Paper holder:**  
For fitting to the support arm.

**RT945 / RT947 / RT946**



**Bathroom accessories:**  
See page 48.

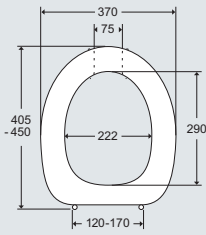
# Toilet seats

## – dimensions, mounting and accessories

### Toilet seats

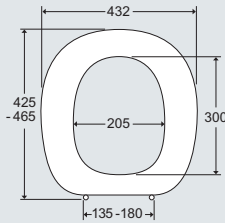
#### Dania

R27  
R37  
R28  
R38



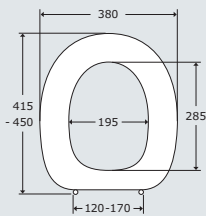
#### Ergosit

R29  
R30



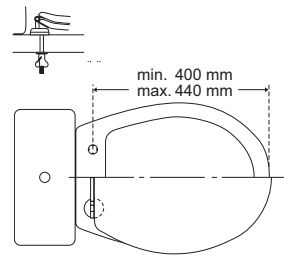
#### Colani

R26  
R36

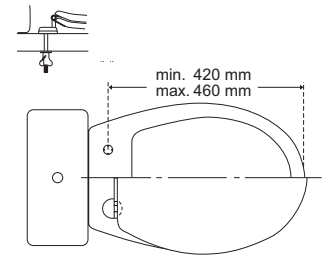


### Mounting of toilet seats

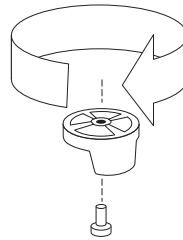
#### Mounting – hinge, position A



#### Mounting – hinge, position B

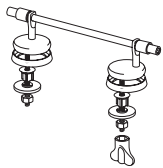


#### Mounting – stabilising buffer



Accessories

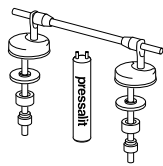
**D92**



**Institutional hinge:**

Hinge with crossbar. Fitted where extra strength and stability is required. Standard with Ergosit. Recommended for Dania and Colani. Stainless steel.

**BZ7**



**Anti-theft and vandal-proof hinge:**

Recommended for mounting on public toilets. Stainless steel.

**B82P / B83P**



**Universal hinge:**

Standard with Dania and Colani. Stainless steel.

B82: 100 mm bolt, for the Nordic markets

B83: 75 mm bolt, for all markets except the Nordic

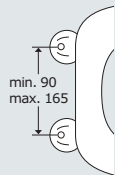
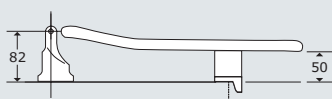
# Raised toilet seats

## – dimensions, mounting and accessories

### Raised toilet seats

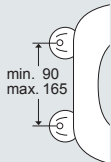
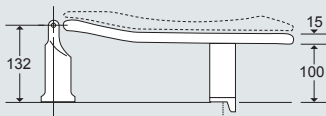
#### Toilet seats, 50 mm raised

R19  
R20  
R21  
R23  
R31  
R33  
R43



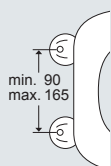
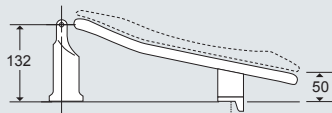
#### Toilet seats, 100 mm raised

R22  
R24  
R32  
R34



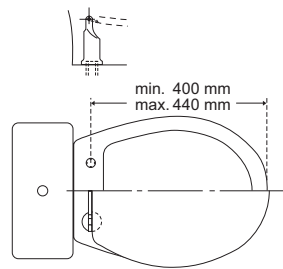
#### Toilet seat, 50/100 mm slanted

R35

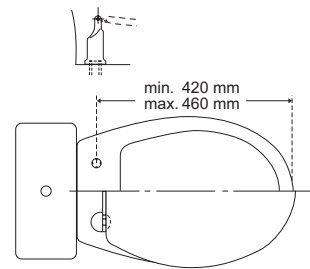


### Mounting of raised toilet seats

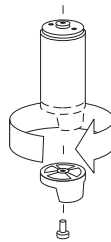
#### Mounting – hinge, position A



#### Mounting – hinge, position B

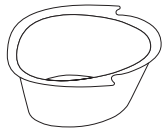


#### Mounting – stabilising buffer



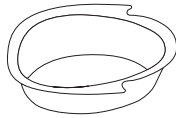
Accessories

**T9515**



**Splash guard, 100 mm:**  
Matt, transparent plastic. Easy to remove,  
for example for cleaning and replacement.

**T9516**



**Splash guard, 50 mm:**  
Matt, transparent plastic. Easy to remove,  
for example for cleaning and replacement.

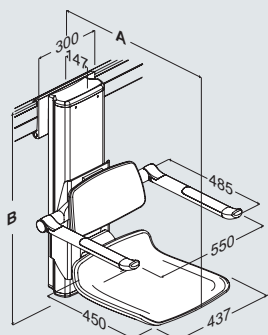
# Shower seat 450

## – dimensions, mounting and accessories

### Shower seat 450

#### Height and sideways adjustable

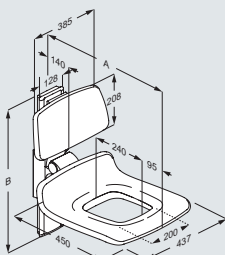
R7480 ▶  
R7481  
R7450  
R7451  
R7440  
R7441



<b>A dimension:</b>	<b>B dimension:</b>	<b>Projection when folded:</b>
Manual: 650 mm	Manual: 624 mm	Manual: 261 mm
Electric: 744 mm	Electric: 855 mm	Electric: 353 mm

#### Height-adjustable

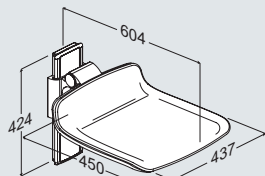
R7470  
R7471  
R7430  
R7431  
R7420  
R7421 ▶



<b>A dimension:</b>	<b>B dimension:</b>	<b>Projection when folded:</b>
Manual: 606 mm	Manual: 624 mm	Manual: 219 mm
Electric: 700 mm	Electric: 855 mm	Electric: 311 mm

#### Height-adjustable

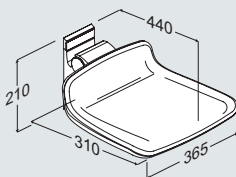
R7410 ▶  
R7411



Projection when folded: 219 mm

#### Fixed

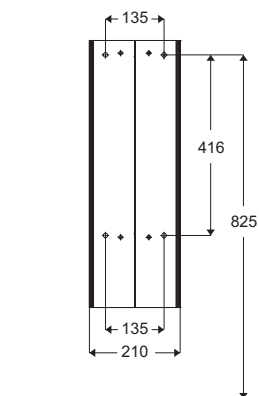
R7408



Projection when folded: 190 mm

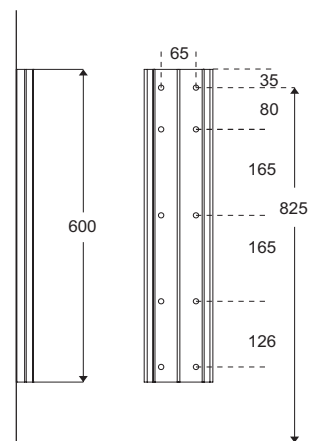
### Mounting of shower seat 450

#### Mounting – electric for height adjustment



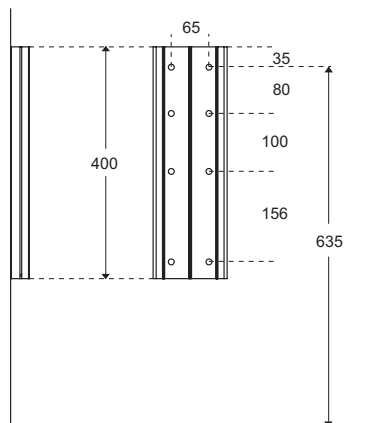
Mounting kit for solid brick wall included.  
See page 51.

#### Mounting – manual vertical track



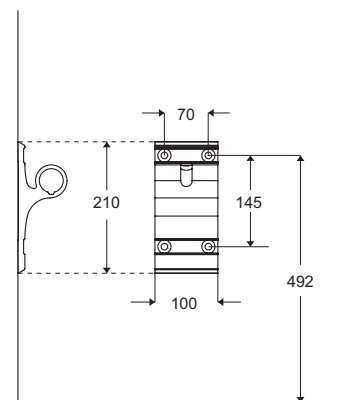
Wall mounting kit must be ordered separately.  
See page 51.

#### Mounting – shower seat vertical track



Wall mounting kit must be ordered separately.  
See page 51.

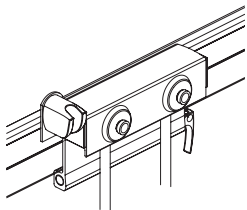
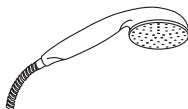
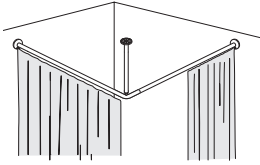
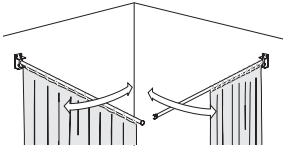
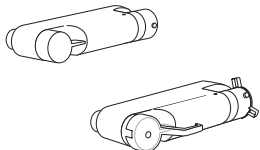
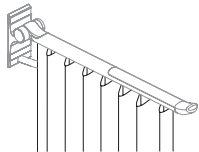
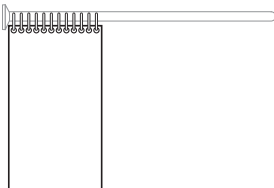
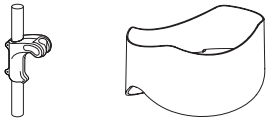
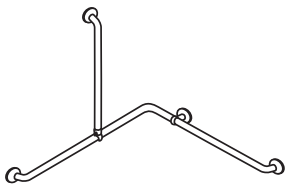
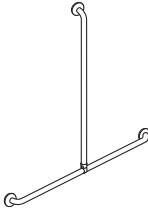

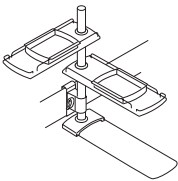

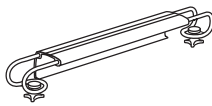
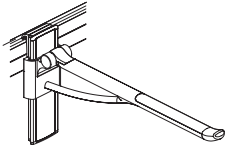
#### Mounting – fixed



Mounting kit for solid brick wall included.



Accessories

<p><b>RT760</b></p>  <p><b>Shower mixer bracket:</b> See page 42.</p>	<p><b>RT610 / RT611</b></p>  <p><b>Hand shower:</b> See page 42.</p>	<p><b>RT212</b></p>  <p><b>Shower curtain rail 1200 x 1200 mm:</b> Incl. 2 x 12 shower curtain rings and ceiling support, 600 mm (can be shortened to the required length).</p>	<p><b>RT225</b></p>  <p><b>Opening shower curtain rail 1500 x 1500 mm</b> For use in rooms with ceiling hoists.</p> <p>The two opening shower curtain rails can pivot 90° in either direction so that a ceiling hoist can pass.</p> <p>May also be used as room dividers.</p> <p>Incl. 2 x 12 curtain rings.</p>
<p><b>RT640 / RT641</b></p>  <p><b>Shower mixer:</b> See page 42.</p>	<p><b>R9311000</b></p>  <p><b>Shower curtain:</b> For mounting to underside of PLUS support arm with length of 850 mm or more. 830 x 1000 mm.</p>	<p><b>RT202 / RT205</b></p>  <p><b>Shower curtain:</b> RT202000: Size 1500 x 2000 mm, 2 curtains. RT205000: Size 1800 x 2000 mm, 2 curtains.</p>	<p>The two opening shower curtain rails can pivot 90° in either direction so that a ceiling hoist can pass.</p> <p>May also be used as room dividers.</p> <p>Incl. 2 x 12 curtain rings.</p>
<p><b>RT600 / RT190</b></p>  <p><b>Shower head holder:</b> For vertical handrail. See page 43.</p> <p><b>Soap holder:</b> For handrail. See page 48.</p>	<p><b>RT136</b></p>  <p><b>Handrail combination, corner:</b> For the shower. Mount shower head holder RT600 on this. See page 46.</p>	<p><b>RT144</b></p>  <p><b>Handrail combination:</b> For the shower. Mount shower head holder RT600 on this. See page 46.</p>	<p><b>RT104</b></p>  <p><b>Handrail:</b> 1000 mm. See page 46.</p>
<p><b>RT474 / RT476</b></p>  <p><b>Modular shelving:</b> See page 27.</p>	<p><b>RT651 / LA8855</b></p>  <p><b>Commode pan holder with commode pan, incl. cover:</b> For use with shower seats with apertures. RT651: Commode pan holder with commode pan, incl. cover. LA8855: Commode pan, incl. cover. Spare part for RT651</p>	<p><b>RT874</b></p>  <p><b>Front and back support:</b> For optimum sitting position. For colour options see page 15.</p>	<p><b>R3585</b></p>  <p><b>Support arm:</b> For maximum support when using the shower chair. For frontal transfers, two support arms are recommended instead of armrests on the shower chair. See page 31.</p>

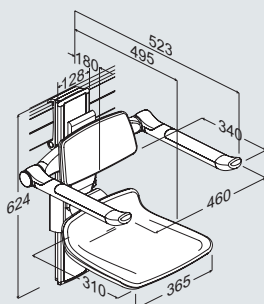
# Shower seat 310

## – dimensions, mounting and accessories

### Shower seat 310

#### Height and sideways adjustable

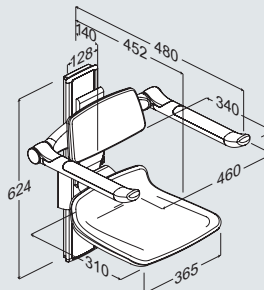
R7330



Projection when folded: 216 mm

#### Height-adjustable

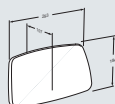
R7320



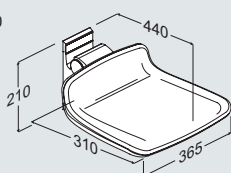
Projection when folded: 173 mm

#### Fixed

R6310



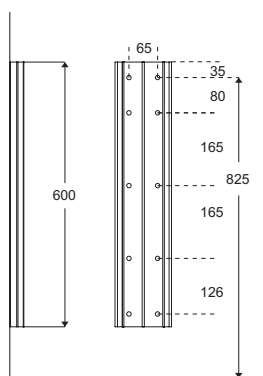
R7310



Projection when folded: 145 mm

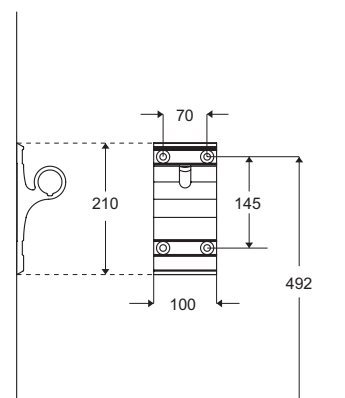
### Mounting of shower seat 310

#### Mounting – vertical track



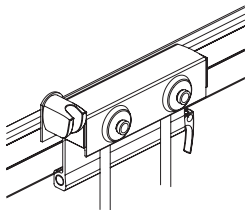
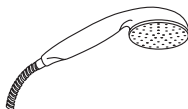
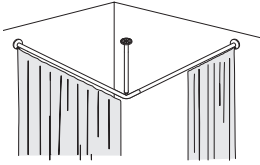
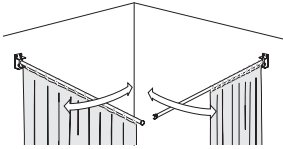
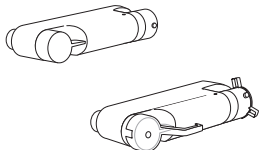
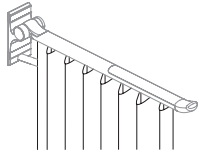
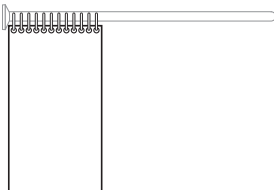
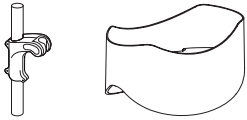
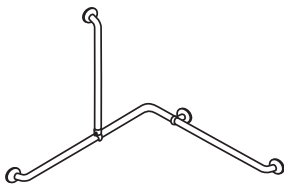
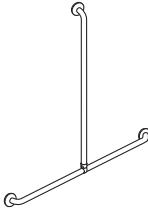

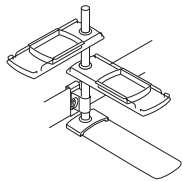
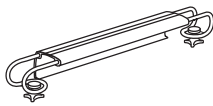
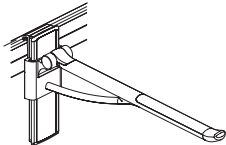
Wall mounting kit must be ordered separately.  
See page 51.

#### Mounting – fixed



Mounting kit for solid brick wall included.

Accessories

<p><b>RT760</b></p>  <p><b>Shower mixer bracket:</b> See page 42.</p>	<p><b>RT610 / RT611</b></p>  <p><b>Hand shower:</b> See page 42.</p>	<p><b>RT212</b></p>  <p><b>Shower curtain rail 1200 x 1200 mm:</b> Incl. 2 x 12 shower curtain rings and ceiling support, 600 mm (can be shortened to the required length).</p>	<p><b>RT225</b></p>  <p><b>Opening shower curtain rail 1500 x 1500 mm</b> For use in rooms with ceiling hoists.</p> <p>The two opening shower curtain rails can pivot 90° in either direction so that a ceiling hoist can pass.</p> <p>May also be used as room dividers.</p> <p>Incl. 2 x 12 curtain rings.</p>
<p><b>RT640 / RT641</b></p>  <p><b>Shower mixer:</b> See page 42.</p>	<p><b>R9311000</b></p>  <p><b>Shower curtain:</b> For mounting to underside of PLUS support arm with length of 850 mm or more. 830 x 1000 mm.</p>	<p><b>RT202 / RT205</b></p>  <p><b>Shower curtain:</b> RT202000: Size 1500 x 2000 mm, 2 curtains. RT205000: Size 1800 x 2000 mm, 2 curtains.</p>	<p>The two opening shower curtain rails can pivot 90° in either direction so that a ceiling hoist can pass.</p> <p>May also be used as room dividers.</p> <p>Incl. 2 x 12 curtain rings.</p>
<p><b>RT600 / RT190</b></p>  <p><b>Shower head holder:</b> For vertical handrail. See page 43.</p> <p><b>Soap holder:</b> For handrail. See page 48</p>	<p><b>RT136</b></p>  <p><b>Handrail combination, corner:</b> For the shower. Mount shower head holder RT600 on this. See page 46.</p>	<p><b>RT144</b></p>  <p><b>Handrail combination:</b> Handrail for shower. Mount shower head holder RT600 on this. See page 46.</p>	<p><b>RT104</b></p>  <p><b>Handrail:</b> 1000 mm. See page 46.</p>
<p><b>RT474 / RT476</b></p>  <p><b>Modular shelving:</b> See page 27.</p>	<p><b>RT873</b></p>  <p><b>Front and back support:</b> For optimum sitting position. For colour options see page 15.</p>	<p><b>R3585</b></p>  <p><b>Support arm:</b> For maximum support when using the shower chair. For frontal transfers, two support arms are recommended instead of an armrest on the shower chair. See page 31.</p>	

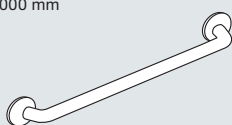
# Handrails

## – dimensions, mounting and accessories

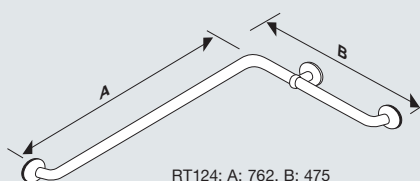
### Handrails and components

#### Handrails

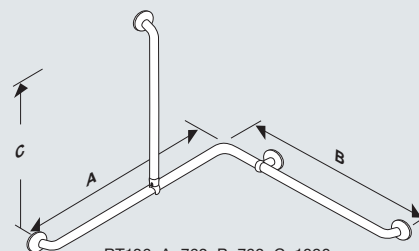
RT100: 300 mm  
RT101: 450 mm  
RT102: 600 mm  
RT103: 800 mm  
RT104: 1000 mm



#### Handrail combination, corner

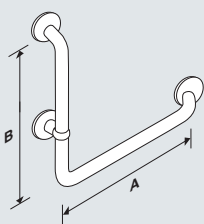


RT124: A: 762, B: 475  
RT126: A: 762, B: 762  
RT128: A: 762, B: 1200

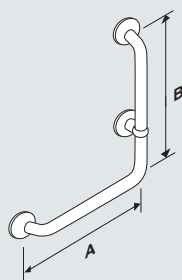


RT136: A: 762, B: 762, C: 1090  
RT138: A: 762, B: 1200, C: 1090

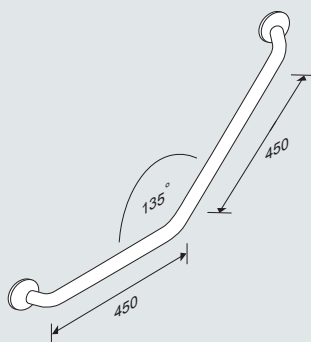
#### Handrails, angled



RT115: A: 400, B: 475  
RT119: A: 400, B: 900



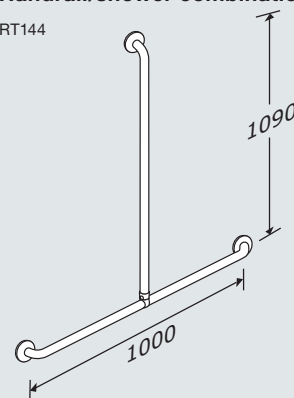
RT114: A: 400, B: 475  
RT118: A: 400, B: 900



RT110

#### Handrail/shower combination

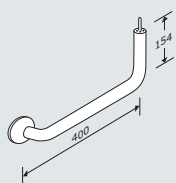
RT144



#### Angled handrail section with vertical angle

RT340: Right  
RT341: Left

Incl. wall rosette.



#### 90° handrail angle

RT350



#### Handrail section

RT320: 321 mm  
RT321: 608 mm  
RT322: 746 mm  
RT323: 1046 mm

Incl. wall rosette.



#### Handrail section

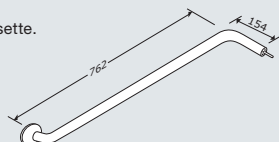
RT300: 300 mm  
RT303: 1200 mm  
RT307: 2400 mm



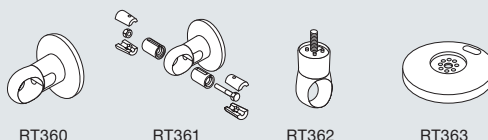
#### Angled handrail section with horizontal angle

RT345

Incl. wall rosette.



#### Handrail fittings



RT360

RT361

RT362

RT363

#### Handrail section with strap

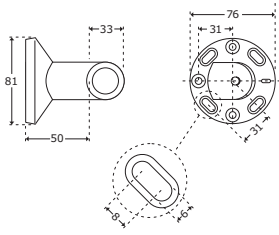
RT330: 365 mm  
RT331: 652 mm  
RT332: 790 mm  
RT333: 1090 mm

Incl. wall rosette.



Mounting of handrails

Mounting on wall



Mounting kit for solid brick wall is included.

Accessories

RT600



**Shower head holder:**  
For fitting to vertical handrail. See page 43.

RT190



**Soap holder:**  
For handrail. See page 48.

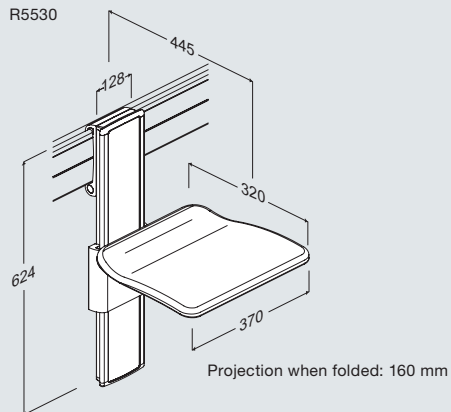
# Folding seats

## – dimensions, mounting and accessories

### Folding seats

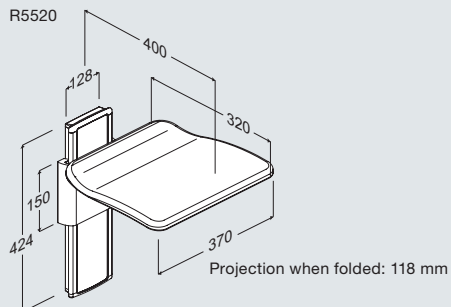
#### Height and sideways adjustable

R5530



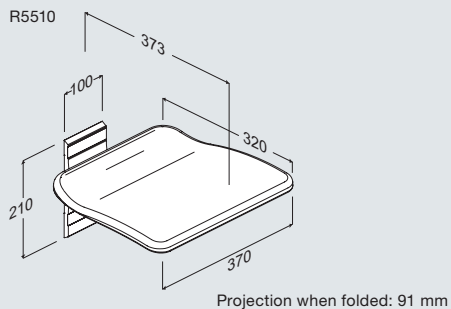
#### Height-adjustable

R5520



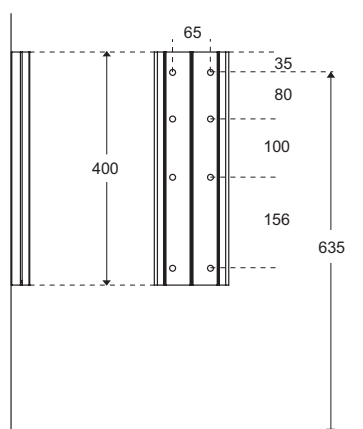
#### Fixed

R5510



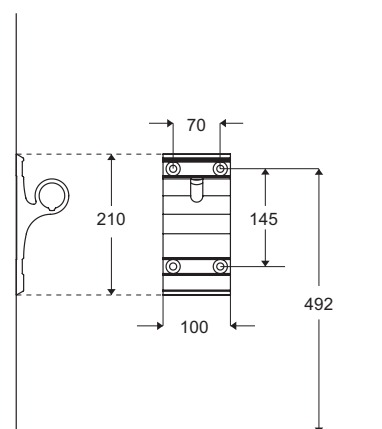
### Mounting of folding seats

#### Mounting – vertical track



Wall mounting kit must be ordered separately. See page 51.

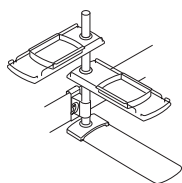
#### Mounting – fixed



Mounting kit for solid brick wall included.

Accessories

RT471 / RT470



**Modular shelving:**  
See page 27.

RT9XX



**Bathroom accessories:**  
See page 48.

RT104xxx



**Handrail:**  
See page 46.

# Plumbing installations

## Flexible feed and waste systems

### Water

The flexible feed and waste systems are needed to allow adjustment of the wash basin and shower mixer. To maximise product flexibility, it is important that the plumbing installations are correctly positioned and do not obstruct movement. Detailed mounting instructions are, of course, supplied with the individual products, but they can also be requested separately, e.g. for planning purposes.

R2081, R2084 and R2085 have 3/8 in. OD x 1/2 in. IPS x 16 in. hoses and are primarily sold in the USA

R2071, R2074 and R2075 have 1/2" hoses instead of 3/8", and are primarily sold in the UK.

R2061, R2064 and R2065 are sold on all other markets. The feed and supply hoses are VA-approved (Denmark).

The flexible waste hose can be shortened to fit the individual installation.

The installation height is adjusted to wheelchair foot supports.

Flexible feed and waste systems can be supplemented with:

Water trap: R2058

Air relief kit: R2059

See page 53.

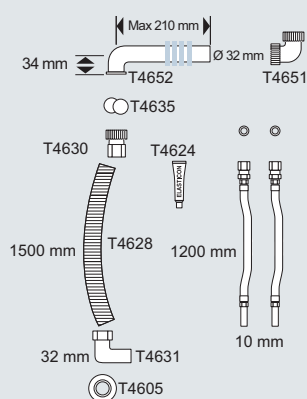
Pressalit Care recommends that isolating valves on the feed connections and waste wall connections are at 90° angles, pointing downwards.

### Flexible feed and waste system, 1200 mm

R2064: A = T4626 (All markets)

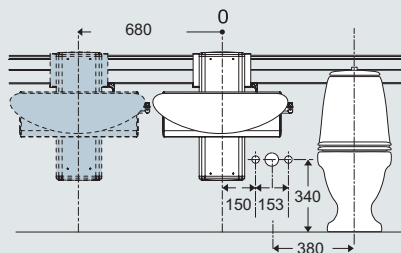
R2074: A = T4633 (UK)

R2084: A = T4691 (USA)



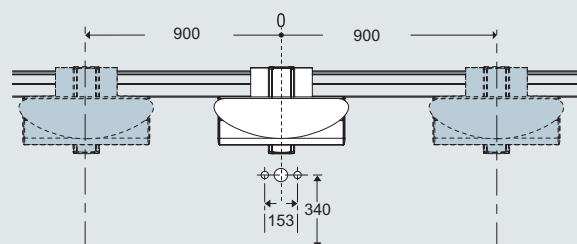
### Placement of R2064 and R2074 in connection with:

Electric and gas:  
R4680, R4780, R4781 and R4782



These brackets cannot pass over the plumbing points.

Manual:  
R4580



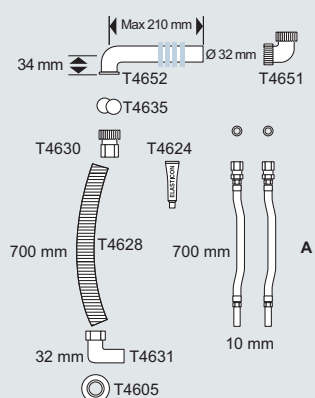
With the recommended mounting height and with plumbing points 340 mm above the floor, the bracket can pass over the feed/waste installation.



Water

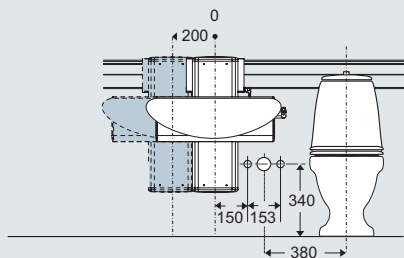
**Flexible feed and waste system, 700 mm**

R2065: A = T4627 (All markets)  
R2075: A = T4611 (UK)  
R2085: A = T4690 (USA)



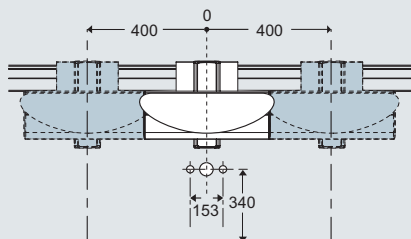
**Placement of R2065 and R2075 in connection with:**

Electric and gas:  
R4680, R4780, R4781 and R4782



These brackets cannot pass over the feed/waste installation.

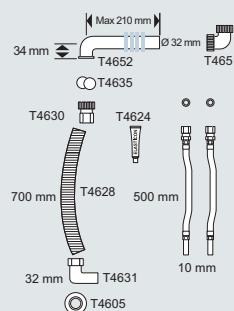
Manual:  
R4580



With the recommended mounting height and with plumbing points 340 mm above the floor, the bracket can pass over the feed/waste installation.

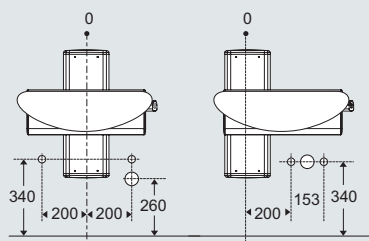
**Flexible feed and waste system, 500 mm**

R2061: A = T4604 (All markets)  
R2071: A = T4610 (UK)  
R2081: A = T4689 (USA)

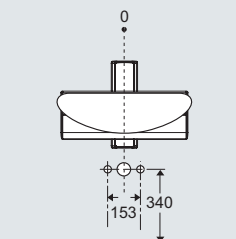


**Placement of R2061 and R2071 in connection with:**

Electric and gas:  
R4650, R4750, R4751 and R4752



Manual:  
R4550



# Electrical installations

## Wash basin brackets, shower seat 450

### Electricity

As with the plumbing installations, it is important to plan everything relating to the electrical installations correctly from the outset – both functional and aesthetic aspects. The work must be carried out by a qualified electrician and must comply with current legislation in the country in question. Detailed mounting instructions are, of course, supplied with the individual products, but they can also be requested separately, e.g. for planning purposes.

### Wash basin brackets

Transformer 230 V/24 VDC for direct current is mounted in a dry room separate from the bathroom, or under the ceiling.

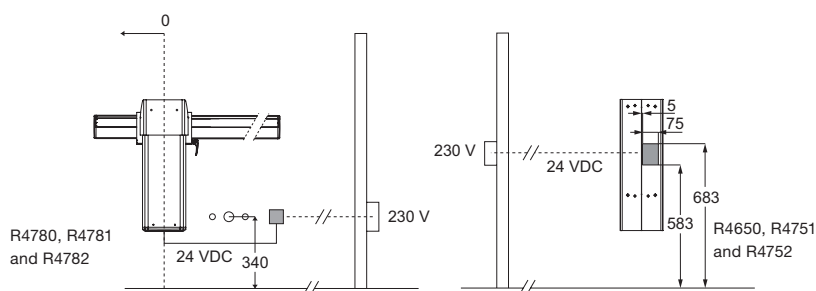
For products on horizontal tracks, it is important that the electrical outlet is placed on the side opposite the direction in which the product will move and as close to the product's starting position – marked as 0 – as possible in order not to limit the horizontal movement.

#### Height-adjustable wash basin bracket for horizontal wall track

- R4780** Electrically operated wash basin bracket with lever control
- R4781** Electrically operated wash basin bracket with wired hand control
- R4782** Electrically operated wash basin bracket with cordless remote control

#### Height-adjustable wash basin bracket

- R4750** Electrically operated wash basin bracket with lever control
- R4751** Electrically operated wash basin bracket with wired hand control
- R4752** Electrically operated wash basin bracket with cordless remote control



### Shower seat 450

Transformer 230 V/24 VDC for direct current is mounted in a dry room separate from the bathroom, or under the ceiling.

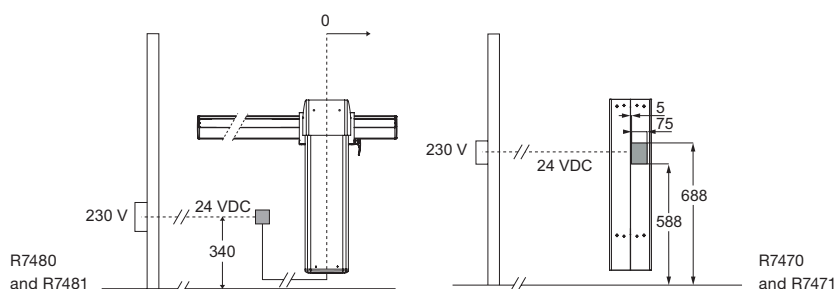
For products on horizontal tracks, it is important that the electrical outlet is placed on the side opposite the direction in which the product will move and as close to the product's starting position – marked as 0 – as possible in order not to limit the horizontal movement.

#### Height-adjustable shower seats for horizontal wall track

- R7480** Electrically operated shower seat with backrest and armrest incl. wired hand control
- R7481** Electrically operated shower seat with aperture, with backrest and armrest incl. wired hand control

#### Height-adjustable shower seats

- R7470** Electrically operated shower seat with backrest and armrest incl. wired hand control
- R7471** Electrically operated shower seat with aperture, with backrest and armrest incl. wired hand control



# Meeting bariatric needs

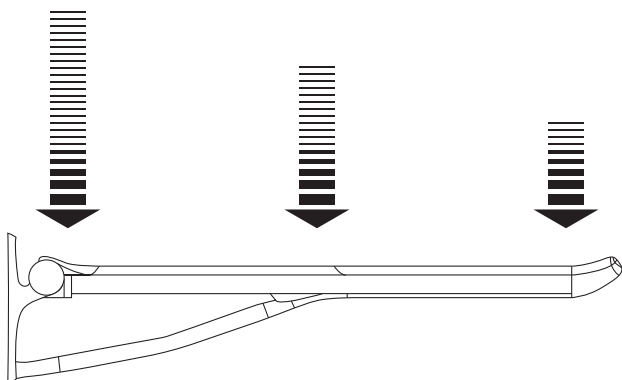
A white, modern bariatric chair is shown against a dark background. On the right side of the chair's seat, a mechanical testing device is mounted. The device consists of a vertical metal rod with a hexagonal base, which is secured to a white, circular, cylindrical component on the chair's surface. The chair has a high backrest and a wide seat, typical of bariatric furniture. The text 'Methods of testing' is overlaid on the lower left portion of the chair's seat.

Methods of testing

# Methods of testing

At Pressalit Care we test our products so we can be completely sure that they can withstand even extreme real-life conditions. We push the products to the very limit to identify any weaknesses by subjecting them to rigorous tests. Therefore, we can guarantee the values we provide. The products comply with the requirements in BS/EN 12182:2012.

For example, the illustration below shows our test method for a support arm. The load which the product can withstand increases the further back on the support arm one tests it. However, we have decided to state the lowest values, which means that the lifespan of the product is even longer in use, as the load is often applied closer to the wall.



All tests have been conducted by mounting the products on a solid wall, which is what Pressalit Care recommends. The lifespan of the product is not affected in any way by the wall type. However, the overall solution will inevitably be influenced by the condition and material of the wall, so reinforcement should always be used if the wall is not stable.



## Static test

We also conduct a static test on our products, and we therefore know exactly how many kilograms each product can carry for 1 minute. The statistical test is also carried out on the weakest part of each product.



## Safety Factor

According to the European standard for technical aids for the disabled (BS/EN 12182:2012) the manufacturer must advise of the maximum load of a product. The maximum load is less than the product has actually been tested to carry, since it must include a safety factor of 1.5.

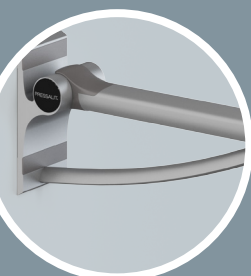
$$\text{Maximum load} \times \text{Safety factor} = \text{Test load}$$

**The weight limits given in this catalogue are the Tested load.**



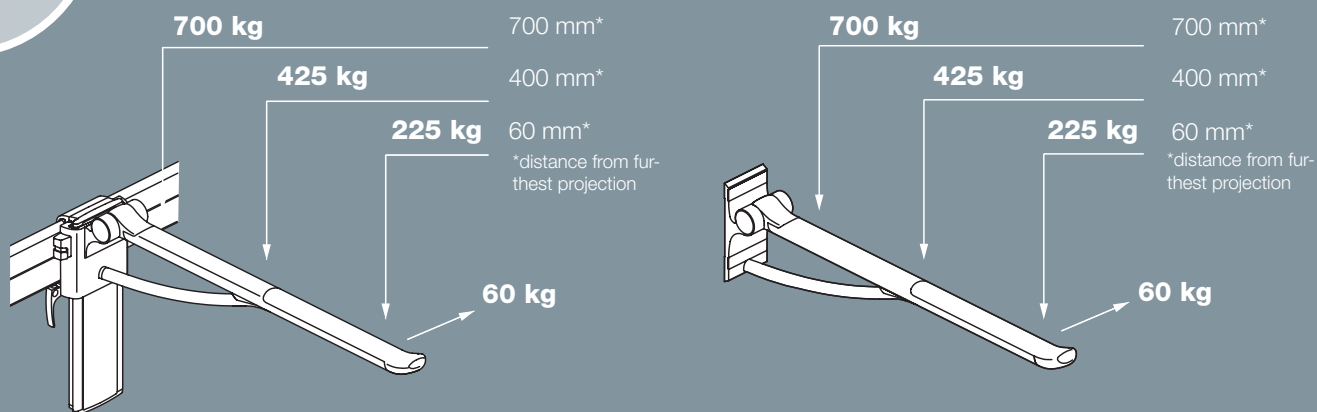
## Lateral test

In addition to the above testing methods, we subject our support arms and armrests to a lateral test to find out whether they can withstand being used by, e.g., a wheelchair user when moving himself. The lateral test involves pressing the product 10,000 times at a 45° angle for 2 seconds at a time.



## Support arms

R3060 - R3585 + RF060 - RF585

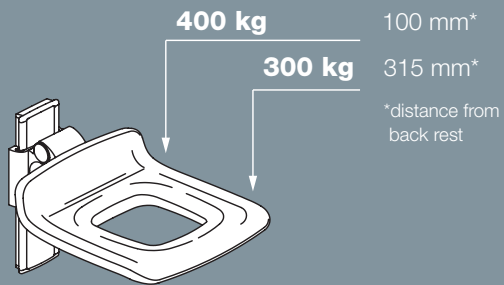
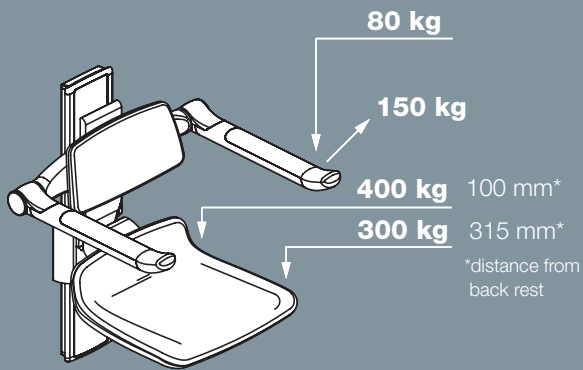
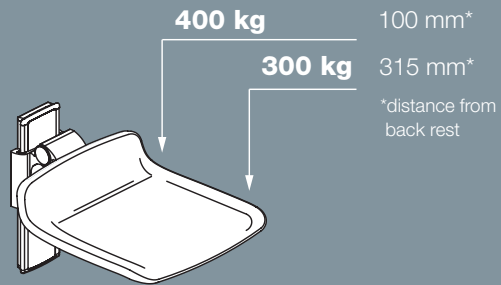
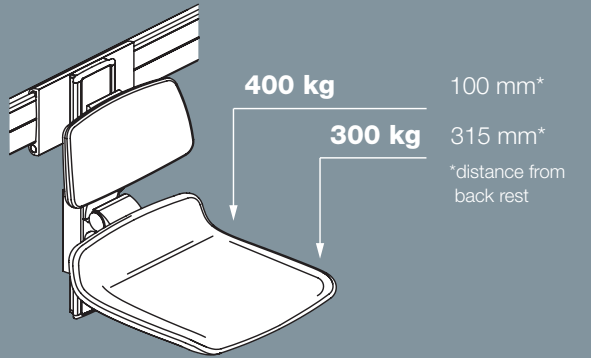


## Shower seats



R7310 - R7481

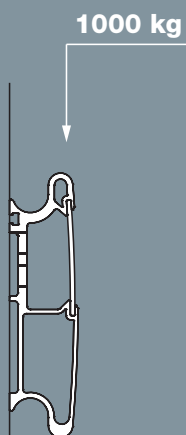
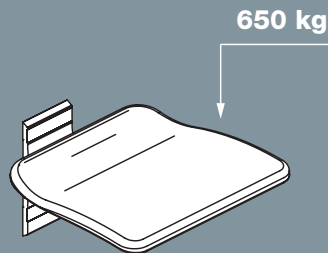
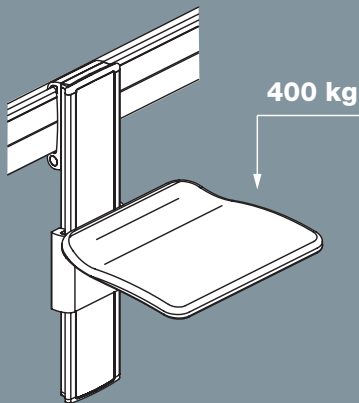
Electrically operated shower seats have a maximum load of 150 kg during height adjustment.



## Folding seats



R5510 - R5530



## Wall tracks



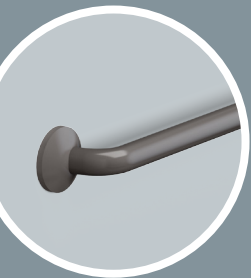
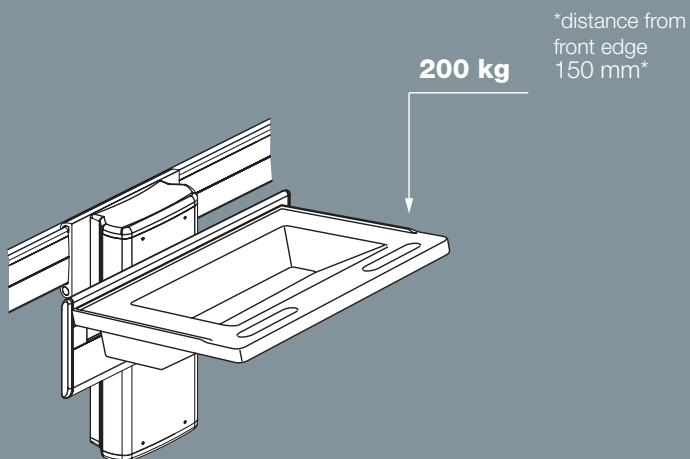
R9806 - R9824



## Wash basin brackets

R4550 - R4782

Electrically operated sink brackets have a maximum load of 100 kg during height adjustment



## Handrails

RT100 - RT104 + RT144





# PRESSALIT<sup>®</sup> CARE

*Reduced functionality need not limit a person's development. For more than 35 years, the keep living philosophy has been a guiding principle for Pressalit Care's development of flexible kitchen and bathroom solutions for people with disabilities.*

*Thanks to its research-based knowledge, Pressalit Care is a market leader within specialist kitchen and bathroom solutions and today provides consultancy to customers worldwide.*

*An underlying respect for the individual and his or her possibilities is also reflected in the company's relationship to society at large and the local community. At Pressalit, Corporate Social Responsibility (CSR) is deeply rooted in the company's strategy and values and guides all parts of the organisation.*

*Pressalit Care's head office is located in Denmark.*

**[www.pressalit.com](http://www.pressalit.com)**

#### **Pressalit A/S**

Pressalitvej 1  
8680 Ry  
Denmark  
Tel.: +45 8788 8788  
Fax: +45 8788 8789  
E-mail: [pressalit@pressalit.com](mailto:pressalit@pressalit.com)

#### **UK Sales - Pressalit Care plc**

100 Longwater Avenue  
Green Park  
Reading  
RG2 6GP  
United Kingdom  
Tel.: +44 0118 923 2696  
Fax: +44 0118 986 8867  
E-mail: [uk@pressalit.com](mailto:uk@pressalit.com)

#### **International Sales Department**

Pressalitvej 1  
8680 Ry  
Denmark  
Tel.: +45 8788 8777  
Fax: +45 8788 8669  
E-mail: [sales@pressalit.com](mailto:sales@pressalit.com)

Scan to see  
our website

