



Adult Changing Tables and Shower Benches

- a flexible approach to changing situations



Adult Changing Tables

series 3000 - 2000 - 1000

Pressalit Care offers a range of high quality, fixed- or power height adjustable changing tables designed to provide a safe, stable platform suitable for accommodating adults and children in a variety of settings - including schools, day care centers, public and private institutions, hospitals, and private homes.

- ▮ All of our adult changing tables are constructed of highly durable materials which are resistant to common cleaning and sanitizing agents.
- ▮ Tables are precisely engineered to enhance disability access and to facilitate performance of tasks such as wheelchair transfers.
- ▮ Product designs are consistent with current ergonomic and hygienic requirements while ensuring high standards of safety and comfort for both caregivers and end users.
- ▮ Materials of construction have been thoroughly tested and will withstand many years of daily use.

Respect for the right of every individual to a life in comfort, in spite of their disability, forms the cornerstone of the Pressalit Care philosophy as summarized by our motto:

keep living



Contents

Adult Changing Table 3000 Page 4

Adult Changing Table 2000 Page 6

Adult Changing Table 1000 Page 8

Dimensional Drawings Page 10

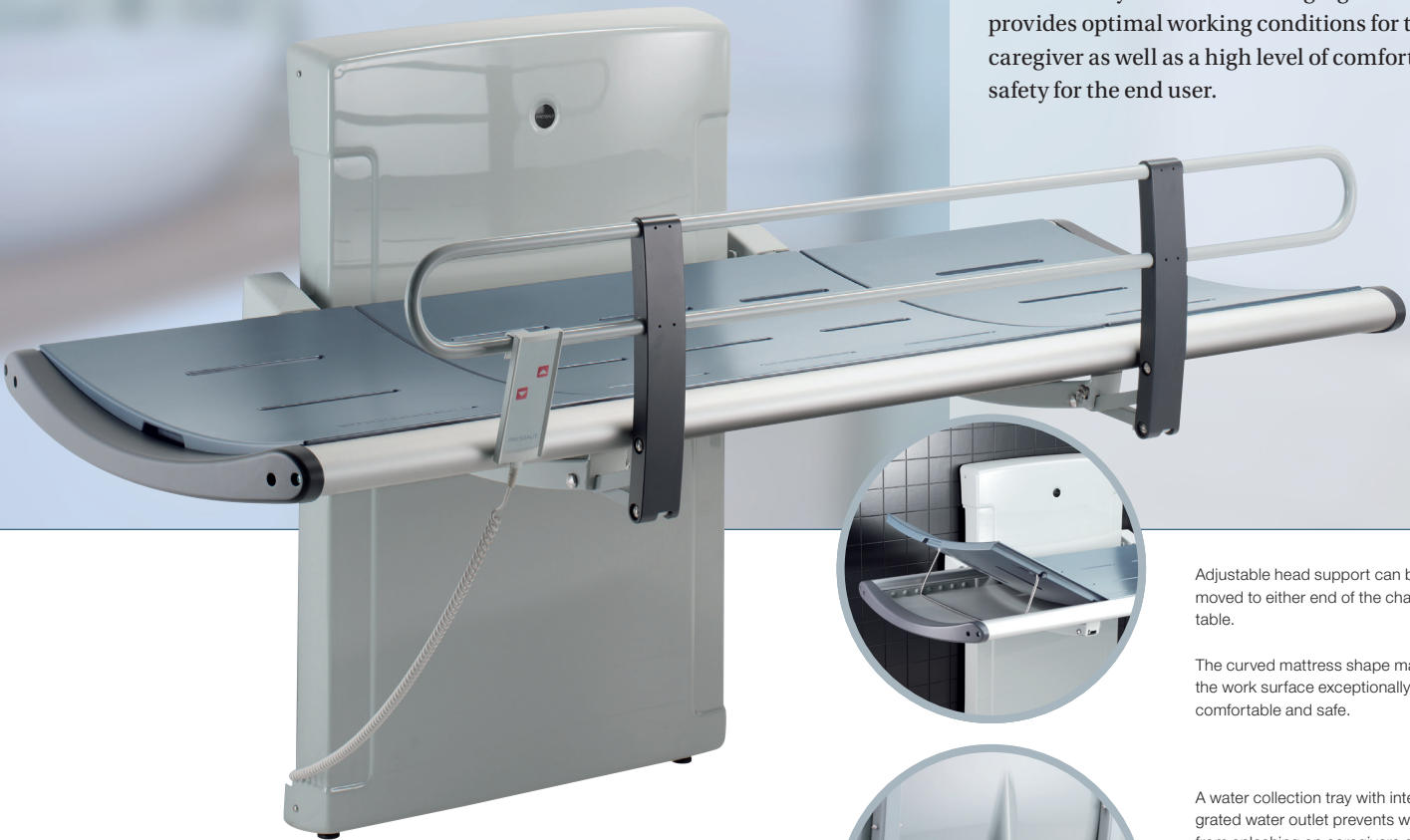
Mounting and Accessories Page 11



Adult Changing Table 3000

The Adult Changing Table 3000 Series provides for maximum safety and comfort. In addition to an award winning design, the 3000 series features a comfortable and durable surface, made of polyurethane foam and aluminum.

The flexibility of the adult changing table provides optimal working conditions for the caregiver as well as a high level of comfort and safety for the end user.



Adjustable head support can be moved to either end of the change table.

The curved mattress shape makes the work surface exceptionally comfortable and safe.



A water collection tray with integrated water outlet prevents water from splashing on caregivers or the floor.

A convenient flexible hose is attached to the center-mounted outlet of the water collection tray and can be connected to either an outlet in the floor or on the wall.



The safety rail can be folded easily up or down.

Integrated air cylinders enable the table to be folded when not in use to maximize floor space.



Winner
The Danish Design Prize 2007

Materials: Aluminum, polyurethane foam, plastics, powder-coated steel
Maximum load: 200kg/440 lbs
Color: 021 Lead grey



Adult Changing Table - Adjustable Height

- ◀ **R8520021** 1800 mm/70" length, 700 mm/28" height adjustable, electric motor
- R8516021** 1300 mm/51" length, 700 mm/28" height adjustable, electric motor
- R8539021** 1800 mm/70" length, 700 mm/28" height adjustable, electric motor and safety rail
- R8534021** 1300 mm/51" length, 700 mm/28" height adjustable, electric motor and safety rail

When mounted at the recommended height, the height of the adult changing table can be adjusted from 300 mm/12" to 1000 mm/40" above floor.

If a safety rail is to be pre-mounted, please be sure to indicate the correct item number when ordering.

Includes wired hand control and flexible hose, 1500 mm/60".



Adult Changing Table - Fixed Height

- ◀ **R8508021** 1800 mm/70" length
- R8503021** 1300 mm/51" length
- R8528021** 1800 mm/70" length, safety rail
- R8523021** 1300 mm/51" length, safety rail

When mounted at the recommended height, the lying surface height is 865 mm/34" above floor.

If safety rail is to be pre-mounted, please be sure to indicate the correct item number when ordering.

Incl. flexible hose, 1500 mm/60".



Safety Rail

- ◀ **R8511** 1636 mm/64" length, for retro-fitting on changing tables R8508021 and R8520021
- R8510** 1200 mm/47" length, for retro-fitting on changing tables R8503021 and R8516021

Provides safety for the user.
Can easily be folded up or down.

Adult Changing Table 2000



The Adult Changing Table 2000 has a low minimum height for easy transfer. It also features a perforated stretcher which enables the water to pass through to the collection tray below.

The flexibility of the height adjustable adult changing table provides advantages to both the user and the caregiver as the correct working height is equally important for the caregiver's safety and the user's comfort.

The mattress is a durable soft nylon mesh designed for comfort and easy cleaning.



Electric with wired hand control – the red buttons clearly indicate “Up” and “Down”. The wired hand control comes with a wall-mounted holder for quick and easy location.



A water collection tray with integrated water outlet prevents water from splashing onto caregivers or the floor.

The flexible hose attached to the center mounted outlet of the water collection tray can be connected to either an outlet in the floor or on the wall.

The integrated air cylinders enable the bench to be folded out of the way to maximize floor space in front of the unit.

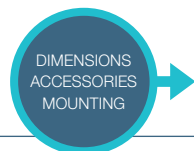


The stretcher is very easy to clean, and the stretcher cover can be unzipped for washing or easy replacement.

Materials: The frame is made from powder-coated stainless steel, the work surface is a mesh cover. The water collection tray is made from polystyrene.

Maximum load: 175 kg/385 lbs

Colour: 000 White



Adult Changing Table - Adjustable Height

- ◀ **R8468000-93** 1800 mm/70" length, 700 mm/28" height adjustable, electric motor
- R8478000-93** 1800 mm/70" length, 700 mm/28" height adjustable, electric motor and safety rail

When mounted at the recommended height, the height of the changing table can be adjusted from 300 mm/12" to 1000 mm/40" mm above floor.

If safety rail is to be pre-mounted, please be sure to indicate the correct item number when ordering.

Includes wired hand control and flexible hose, 1500 mm/60".



Safety Rail

- RB2290000** 1600 mm/63" length, for retro-fitting on changing table R8568000-93.

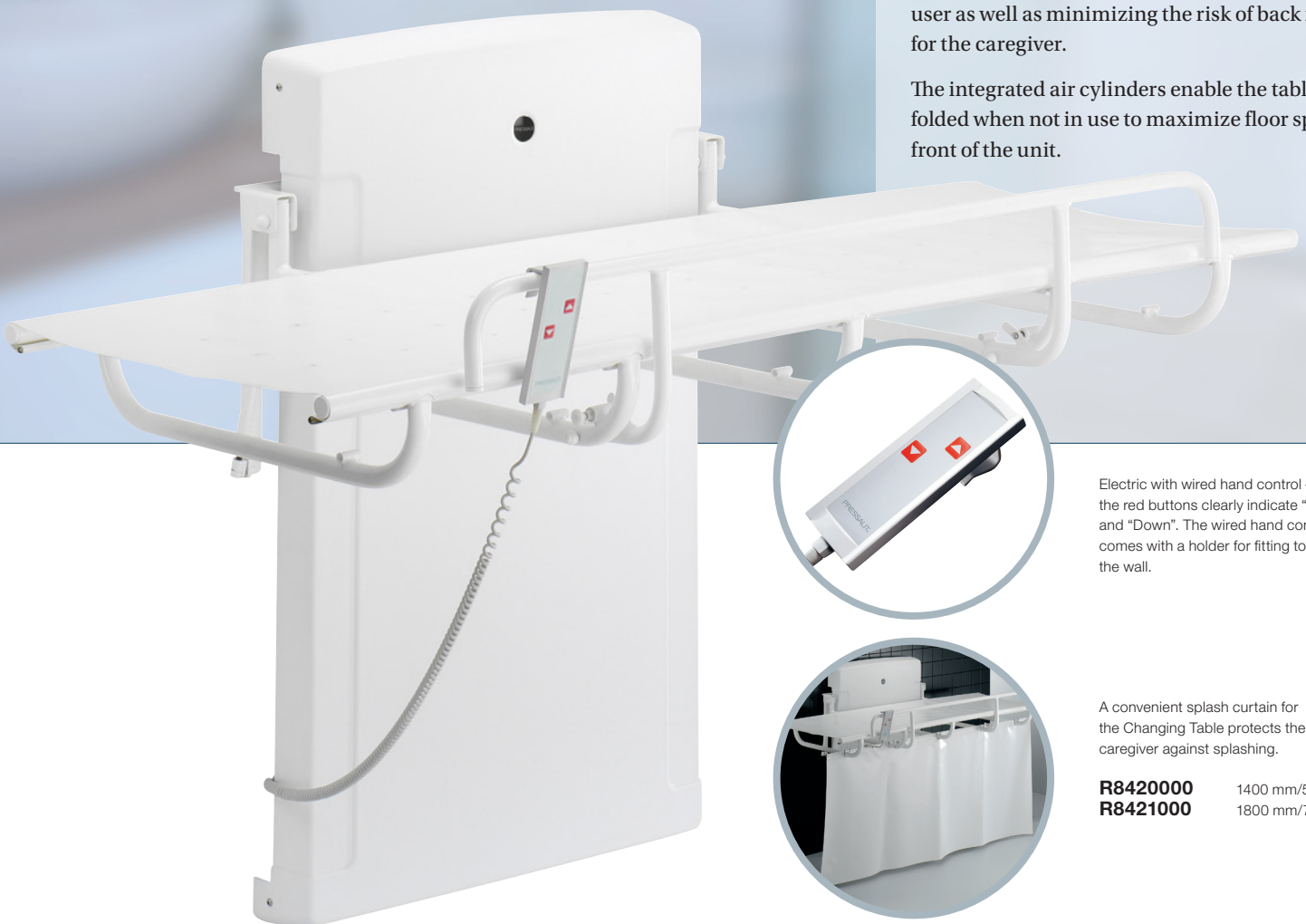
Enhances safety for the user.
Can easily be folded up or down.

Adult Changing Table 1000

The 1000 series is a range of quality changing tables with a PVC coated canvas stretcher. They are suitable for a wide range of applications in public or private places.

Caregivers can easily set the height of the table, enabling them to work at their desired position. This ensures safe showering and changing for the user as well as minimizing the risk of back injury for the caregiver.

The integrated air cylinders enable the table to be folded when not in use to maximize floor space in front of the unit.



Electric with wired hand control – the red buttons clearly indicate “Up” and “Down”. The wired hand control comes with a holder for fitting to the wall.



A convenient splash curtain for the Changing Table protects the caregiver against splashing.

R8420000 1400 mm/55" length
R8421000 1800 mm/70" length

Materials: The **mattress** is made from a durable PVC canvas which is phthalate free. The frame is powder coated steel.

Maximum load: 150 kg/330 lbs

Colour: 000 White

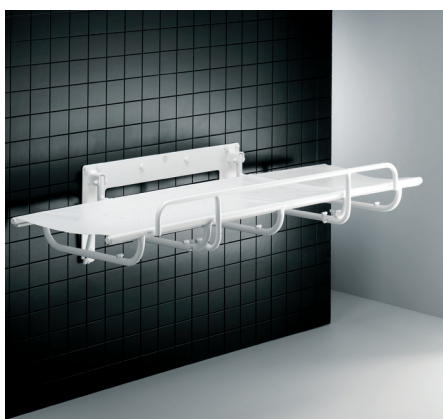


Adult Changing Table - Adjustable Height

- R840000-93** 1400 mm/55" length, 400 mm/16" height adjustable, electric motor
- ◀ **R8401000-93** 1800 mm/70" length, 400 mm/16" height adjustable, electric motor
- R8402000-93** 1400 mm/55" length, 400 mm/16" height adjustable, electric motor with safety rail
- R8403000-93** 1800 mm/70" length, 400 mm/16" height adjustable, electric motor with safety rail

When mounted at the recommended height, the work surface of the changing table can be adjusted from 500 mm/20" to 900 mm/35" mm above floor.

Includes wired hand control.



Adult Changing Table - fixed height

- R8406000** 1400 mm/55" length
- R8407000** 1800 mm/70" length

When mounted at the recommended height, the lying surface height is 865 mm/34" above floor.



Safety Rail

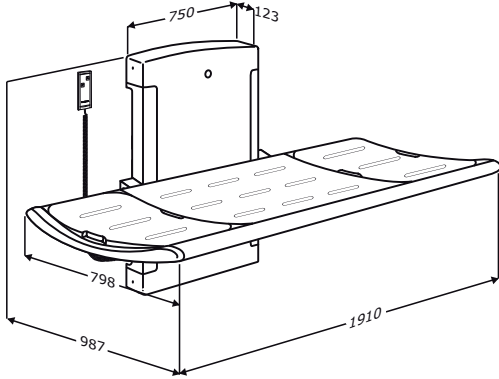
- R8410000** 1400 mm/55" length, for retro-fitting on changing tables R840000-93, R8401000-93 and R8407000.

Enhances safety for the user.

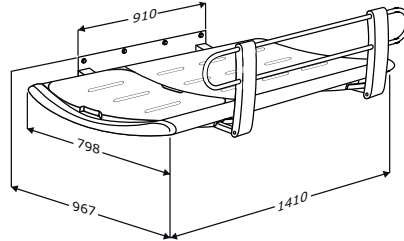
Dimensioned drawings

Adult Changing Table 3000 Series

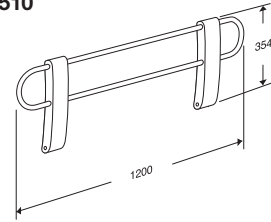
▼ R8518
R8513
R8538
R8533



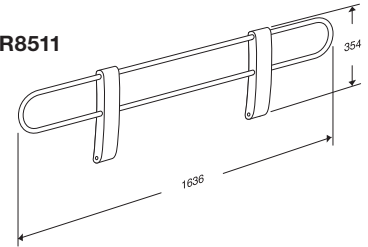
R8508
R8503
R8528
▼ R8523



R8510

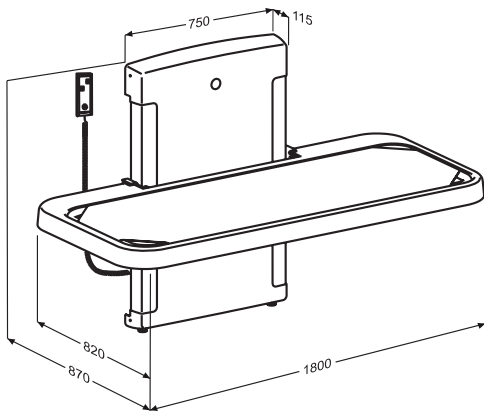


R8511

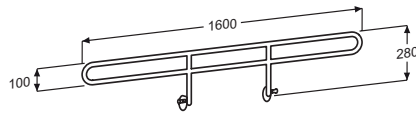


Adult Changing Table 2000 Series

▼ R8468
R8478

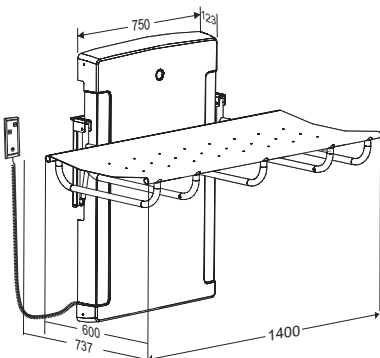


RB2290

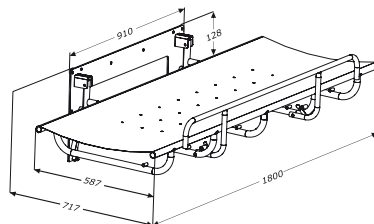


Adult Changing Table 1000 Series

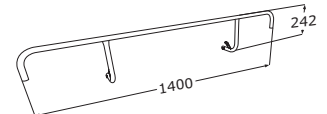
▼ R8400
R8402
R8401
R8403



R8406
▼ R8407



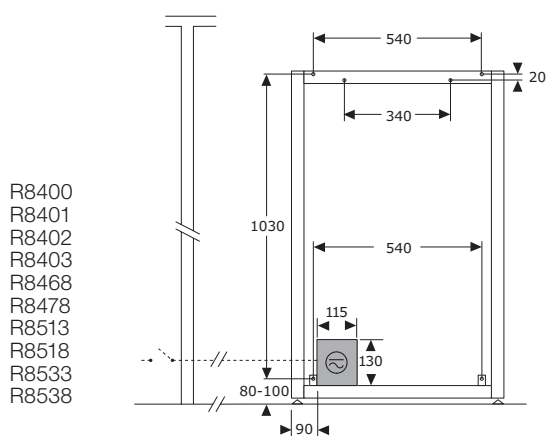
R8410



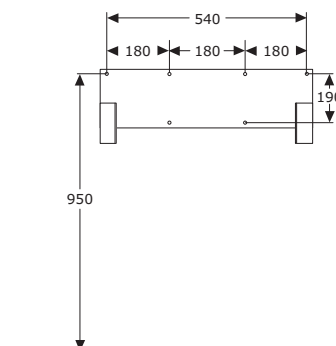
Mounting and Accessories

Mounting

Mounting bolts for solid walls are included.



R8400
R8401
R8402
R8403
R8468
R8478
R8513
R8518
R8533
R8538

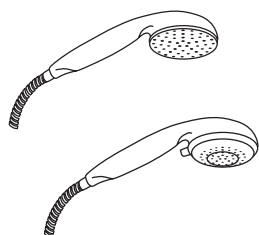


R8406
R8407
R8503
R8508
R8523
R8528

Readily accessible — capable of being reached quickly for operation, renewal, or inspection, without requiring those to whom ready access is a requisite to climb over or remove obstacles or to resort to portable ladders, chairs, etc.

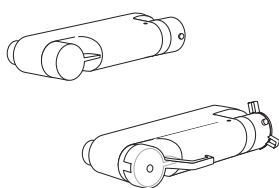
Accessories

RT610 / RT611



Shower head
RT612: One spray mode
RT613: Three spray mode

RT640 / RT641



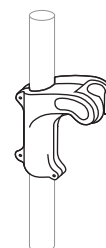
Shower mixer
RT640: With thermostat
RT641: With thermostat and extra long handles.

RT018 / RT024 / RT036



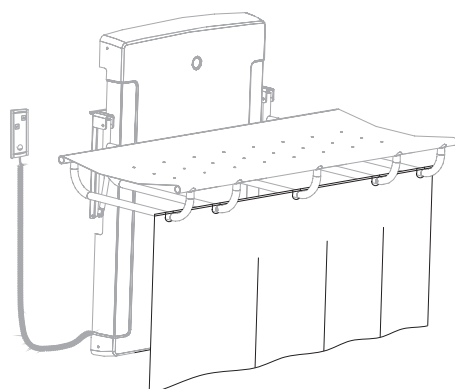
Grab bar
RT018xxx: 457,2 mm/18"
RT024xxx: 610,0 mm/24"
RT036xxx: 914,4 mm/36"
Available in: white, anthracite, red and dark blue

RT600



Showerhead holder
For vertical handrail: RT042/RT118/
RT119/RT136/RT138
Available in: white, anthracite, red and dark blue

R8420000 / R8421000



Splash Curtain
R8420000: Suitable for adult changing tables R8400000-93, R8402000-93 and R8406000
R8421000: Suitable for adult changing tables R8401000-93, R8403000-93 and R8407000

Further information and mounting instructions can be found at www.pressalit.com

PRESSALIT® care

We believe reduced functionality need not limit a person's development. For more than 35 years, our keep living philosophy has been a guiding principle toward on-going release of flexible kitchen and bathroom solutions for people with disabilities.

Thanks to our extensive research-based knowledge, Pressalit Care is today a market leader in advanced, innovative kitchen and bathroom solutions worldwide.

Underlying respect for the individual and his or her possibilities is also reflected in our company's relationship to society at large, and to our local communities. Ultimately, Corporate Social Responsibility is deeply rooted in our company's core values, and this has become the guiding light of our entire global organization.

Pressalit Care's home office is located in Ry, Denmark.

www.pressalit.com

Pressalit A/S
Pressalitvej 1
8680 Ry
Denmark
Tel.: +45 8788 8788
Fax: +45 8788 8789
E-mail: pressalit@pressalit.com

International Sales Department
Pressalitvej 1
8680 Ry
Denmark
Tel.: +45 8788 8777
Fax: +45 8788 8669
E-mail: sales@pressalit.com

Pressalit Inc. North America
P.O. Box 1624
East Dennis, MA 02641
USA
Tel.: 508 364 3804
E-mail: us@pressalit.com

